

Always **HANGER** Bolts...



**..makes moving large panels
or sliding doors effortless.**

Always Engineering Limited have been established since 1939 and are the worlds leading manufacturer of ball transfer units. We offer units from 10kgs to 4000kgs capacity and ball diameters from 12.7 mm to 90mm.

This also includes spring loaded units and specially developed units for specific applications i.e. Hanger Bolts.

Hanger Bolts consist of ball transfer units secured into a circular plate with a bolt through the centre. It is a very simple but effective design, for overhead suspension of wall and door panels.



ALWAYSE
ENGINEERING LIMITED

Where engineering excellence *always* comes first

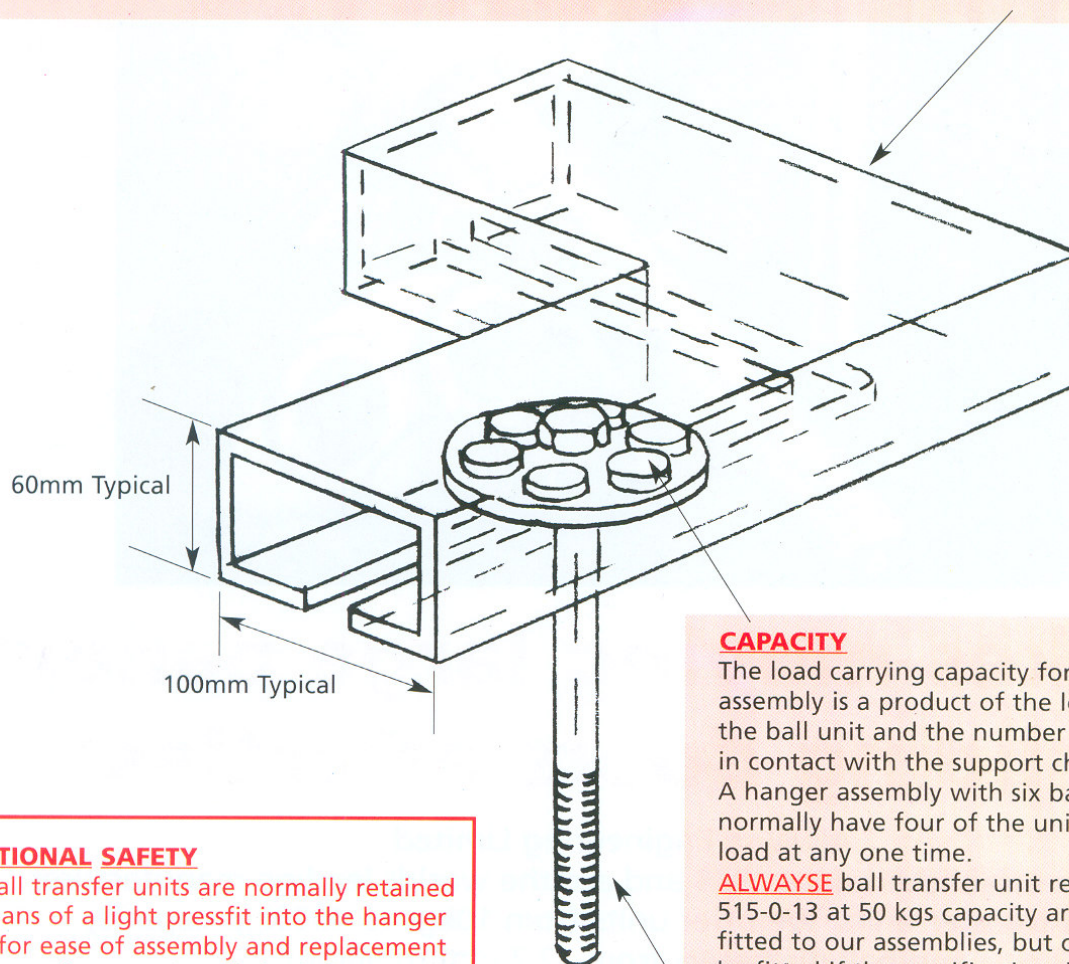


Always **HANGER** Bolts Specifications

The following information shows Hanger Bolts can be used for ease of movement of large panels or sliding doors. As the diagrams show Hanger Bolts can be located into most types of existing track and can move in any direction. If you wish to assemble a Hanger Bolt yourself, we offer a package of all the parts which are used to make up a Hanger Bolt. We can manufacture Hanger Bolts to your requirements and supply with a zinc plated finish or in stainless steel for use in a more corrosive working environment.

MULTI DIRECTIONAL

The assembly is multi directional in order to negotiate curved and right angled partition movement. This is achieved by having a circular hanger plate which retains the ball transfer units. The hanger plate rotates concentric about the hanger bolt, to reduce the friction encountered with this rotational action of the hanger plate rolling around the contour of the overhead support channel. A thrust bearing is interposed between the head of the hanger bolt and hanger plate.



ADDITIONAL SAFETY

The ball transfer units are normally retained by means of a light pressfit into the hanger plate for ease of assembly and replacement purposes. The retention of the ball unit is critical to the function of the assembly and so we have incorporated a simple but effective ball unit retaining disc in our assemblies for additional security and peace of mind.

CAPACITY

The load carrying capacity for the hanger bolt assembly is a product of the load capacity of the ball unit and the number of units actually in contact with the support channel. A hanger assembly with six ball units would normally have four of the units carrying the load at any one time.

ALWAYSE ball transfer unit reference 515-0-13 at 50 kgs capacity are normally fitted to our assemblies, but other units can be fitted if the specification demands.

FITTING

The standard hanger bolt has an M16 x 85 length of thread with two spanner flats for easy attachment and vertical adjustment.

