

NSK Linear Guides

Roller Guide RA Series



A roller guide series employing advanced analysis technology offers super-high load capacity and rigidity. The RA series includes a complete lineup to handle a wide range of applications.



The fruits of comprehensive technology of NSK RA series roller guides handle a diversity of applications

The RA series of roller guides is the product of a combination of NSK's extensive experience in roller bearings and linear guide technologies. The result is an optimal design that takes full advantage of NSK's unique expertise to realize super-high load capacity, rigidity and motion accuracy, plus smooth motion. Capable of handling a variety of applications, the RA series supports high machine performance.

RA series features support high machine performance

Super-long Life

Super-high load capacity

NSK has realized super-high load capacity, now the highest performance in the world, and achieved unprecedented operating life.

Maintenance-free

Installing an NSK K1™ lubrication unit assures long-term, maintenance-free operation.

Highly dust-proof

The high performance seals as standard equipment completely block the entry of foreign matter and maintain primary performance over the long term.

Contribution to High-precision Manufacturing

Super-high rigidity

Super-high rigidity provides high-precision manufacturing.

Super-high motion accuracy

Coupled with NSK's unique design approach, the vibration caused by roller passage has been substantially reduced. This will greatly contribute to improve machining quality.

Smooth motion

The installation of a retaining piece achieves smooth motion, resulting in stable positioning accuracy.

Five sizes (RA15, RA20, RA25, RA30 and RA65) have been added to the RA series. NSK also introduces a low-profile size (doesn't apply to RA20 and RA65).

Used in Many Fields

Complete series

Series includes a full lineup from small to large, including low-profile sizes. You can choose the model according to the application.

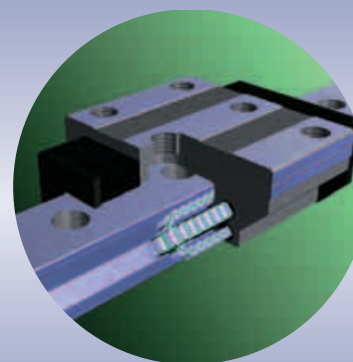
Interchangeable mounting dimensions

Outside dimensions and mounting dimensions conform to standard dimensions for the market, so RA series roller guides can be used without having to alter machine design. (See page 10 for mounting surface dimensions)

Low friction

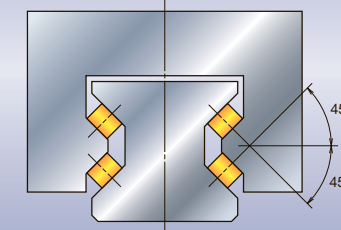
Uses rollers for rolling elements to hold down dynamic friction.

Optimal design through integration of NSK technologies

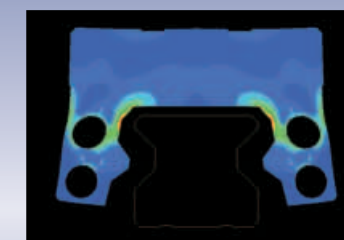


Smooth motion by use of retaining pieces

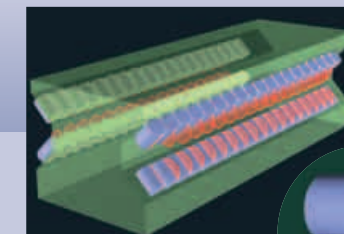
Roller Guide RA Series



Balanced four-directional iso-load specifications

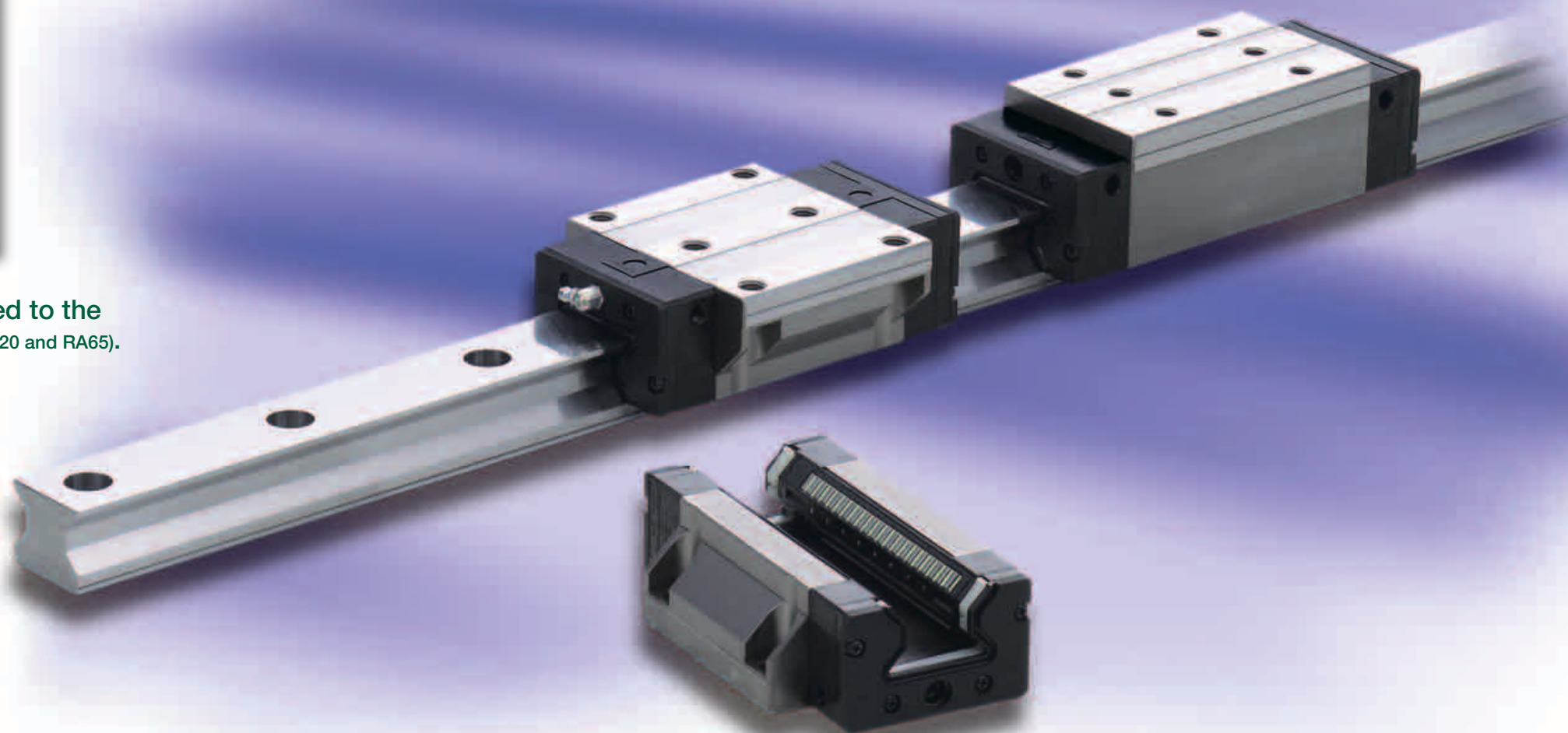


Example of roller slide deformation analysis



Analysis example of contact pressure distribution of rollers

NSK executed a comprehensive, detailed performance simulation of roller guides by integrating its analysis technology and the tribology technology that the company had been developing over many years. Down to the dimensions and shapes of component details, we have attained an optimal design completely.



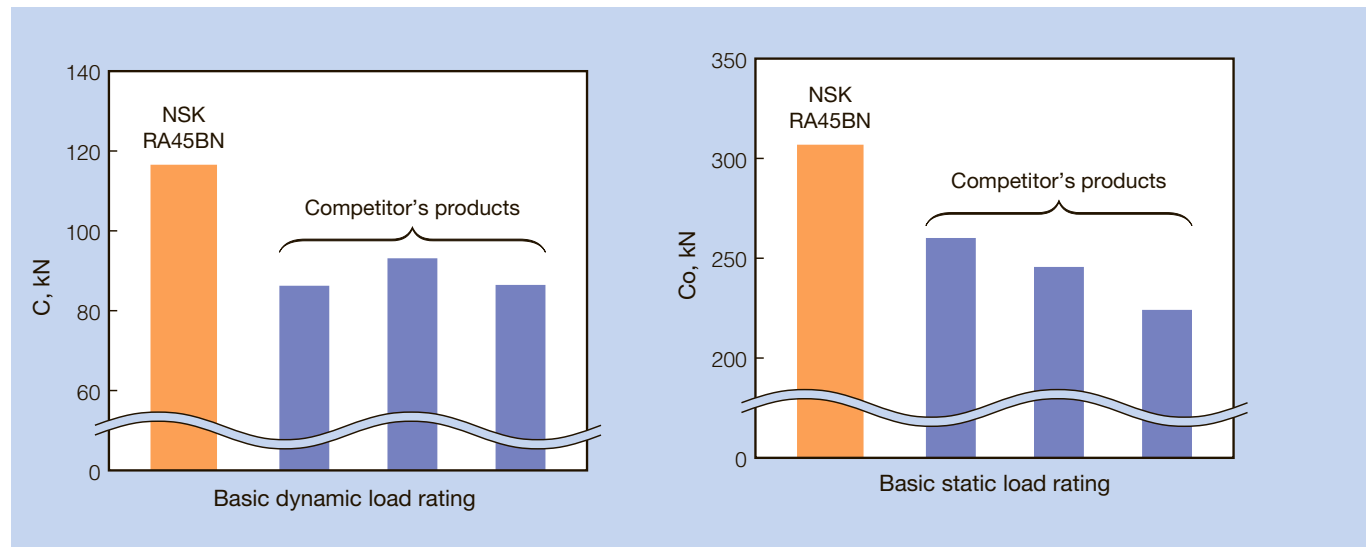
NSK roller guide RA series exhibits the world's highest load capacity and enhance the performance of machine through a variety of features, including super-high rigidity, super-high motion accuracy, and low friction variation.

Features

Super-high load capacity

By installing rollers that are the largest possible diameter and length within the existing standard cross-section dimension in a rational layout based on analysis technology, we have realized the world's highest load capacity,* far superior to conventional roller guides. Super-long life is achieved and impact load can be sufficiently handled.

* Compared with products of the same size, as of September 1, 2003, researched by NSK.



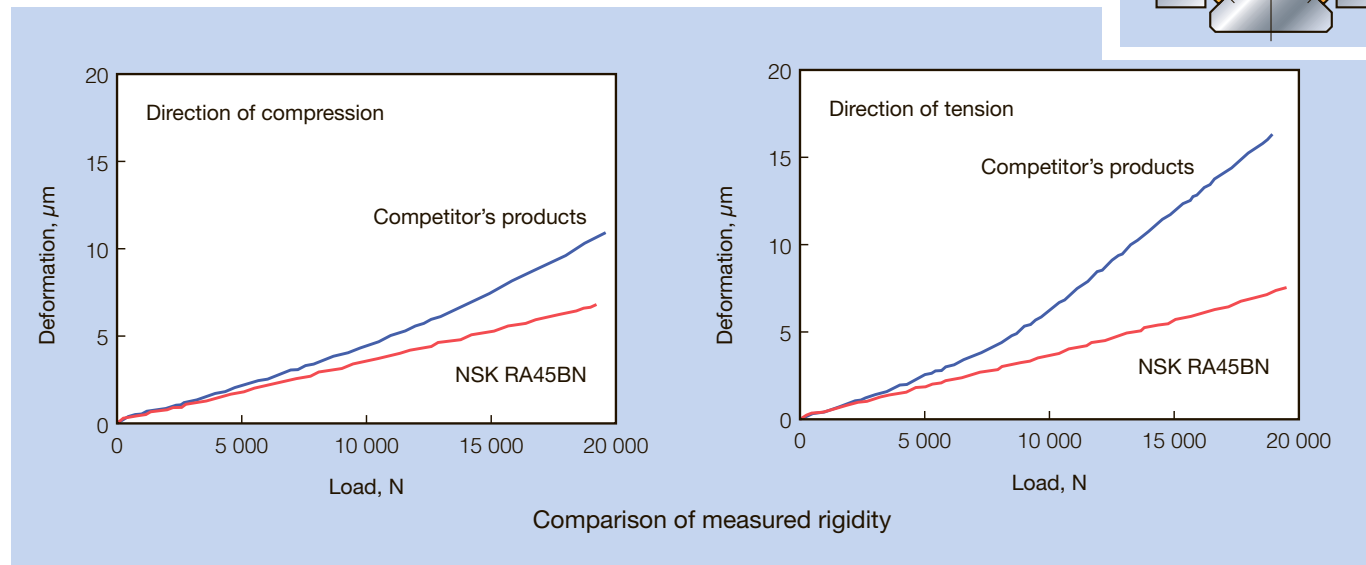
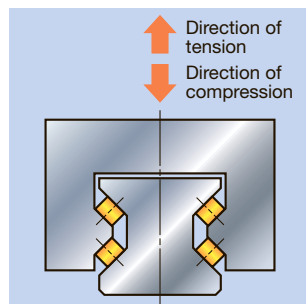
The basic load rating which is shown in the figures complies with ISO standards.

Standards for basic dynamic load rating: ISO14728-1

Standards for basic static load rating: ISO14728-2

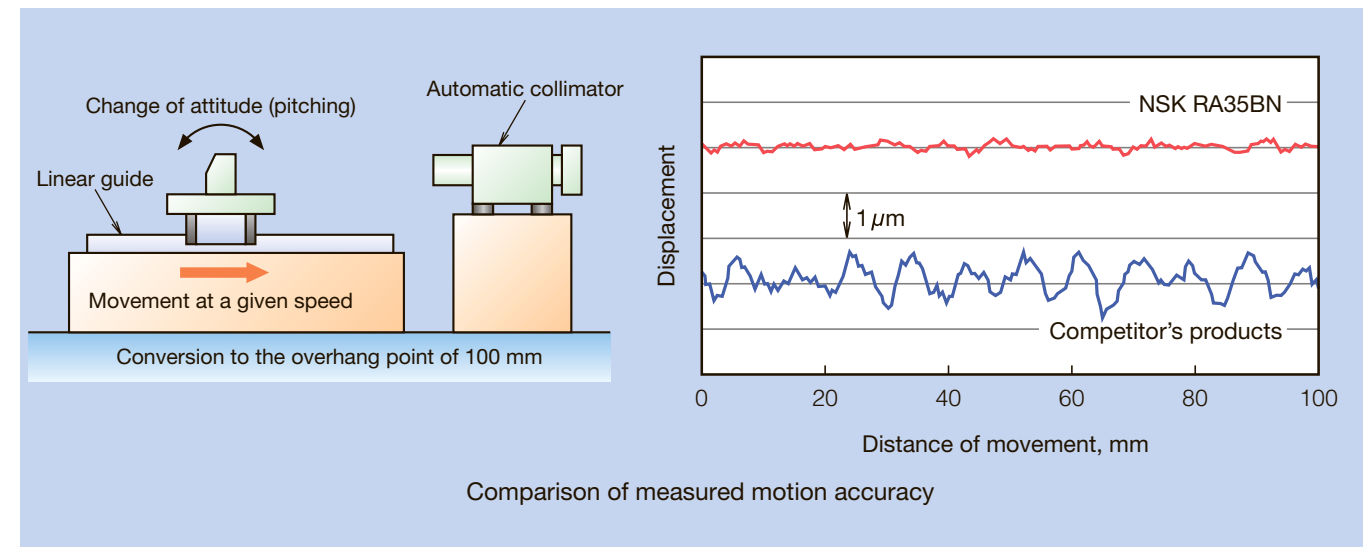
Super-high rigidity

Using NSK's advanced analysis technology, we pursued a complete, optimal design, down to the detailed shape of roller slides and rails, thereby realizing super-high rigidity superior to that of competitor's roller guides.



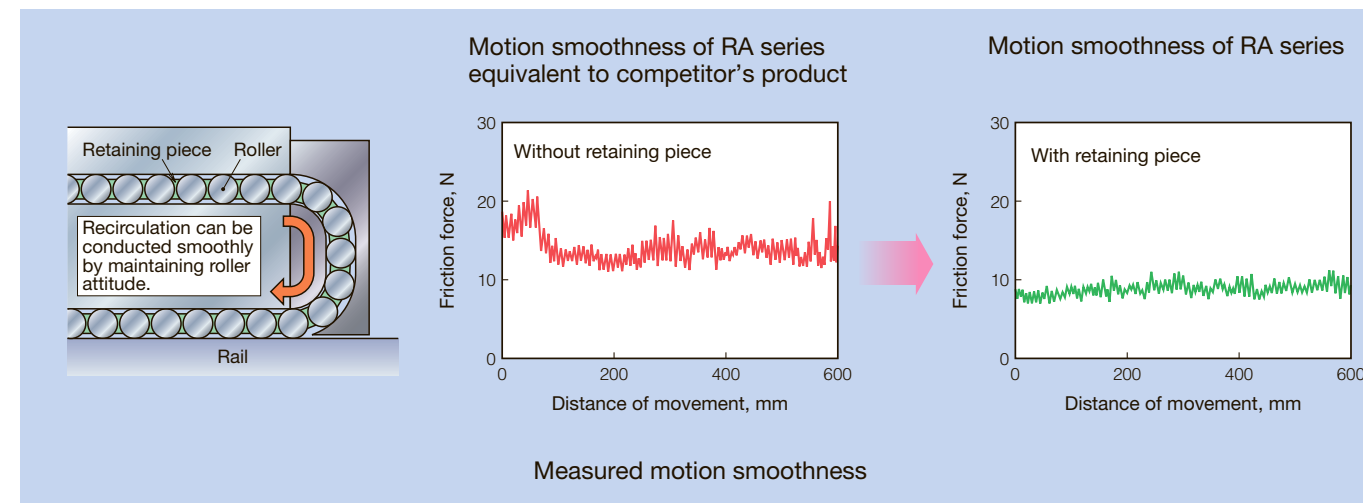
Super-high motion accuracy

NSK has developed its own unique method of simulating rolling element passage vibration and method of designing optimal roller slide specifications for damping roller passage vibration. These developments have dramatically enhanced roller slide motion accuracy for the RA series.



Smooth motion

Installing a retaining piece between rollers and restraining the skew peculiar to roller bearings achieve smooth motion. The reduction of friction variation provides stable tracking in the complicated trajectory control.



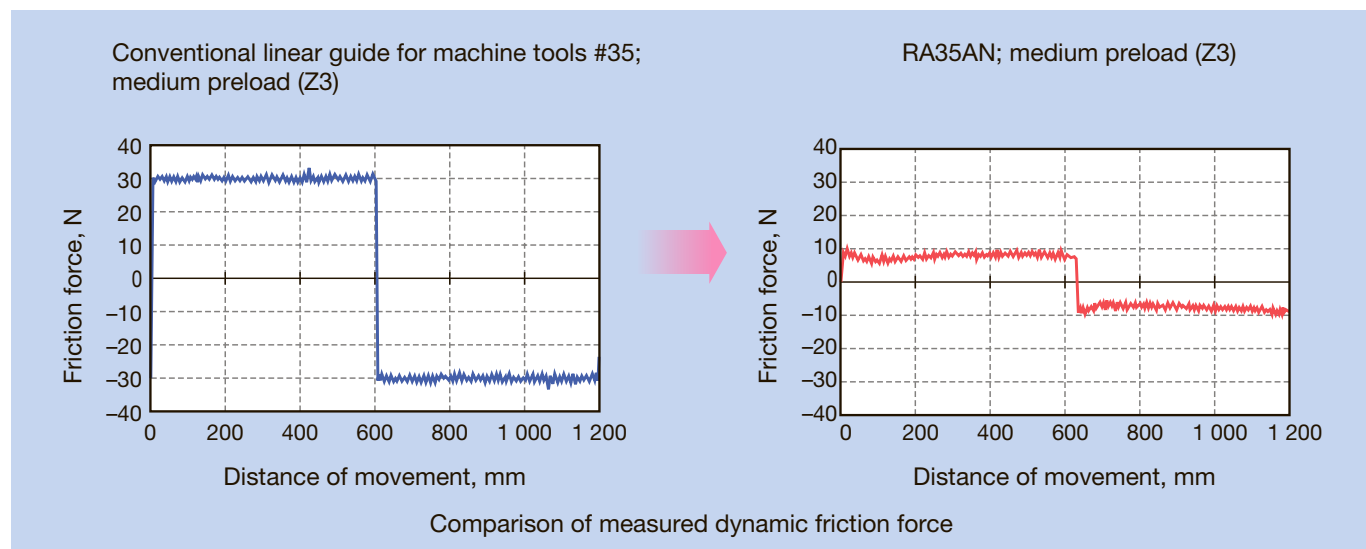
Mounting dimensions compatibility

The outer and mounting dimensions of RA series are based on market standards. RA series can be replaced without altering equipment design. (See page 10 for mounting surface dimensions)

Low friction

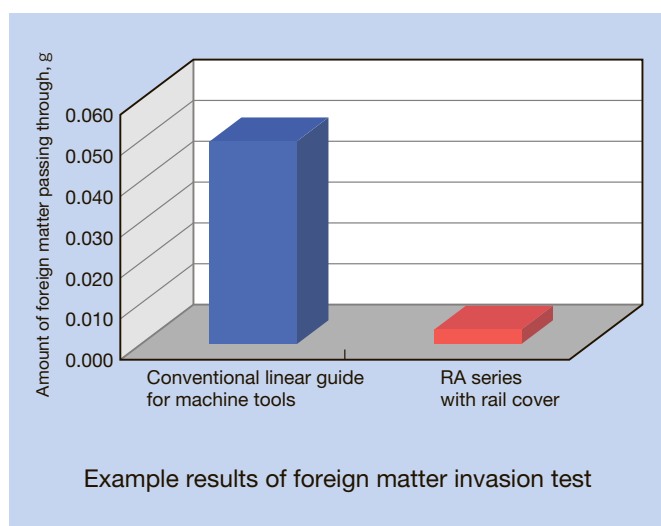
Using rollers for rolling elements helps minimize dynamic friction.

Measurement conditions
 • Lubrication: Oil (VG68)
 • Feeding speed: 1 m/min



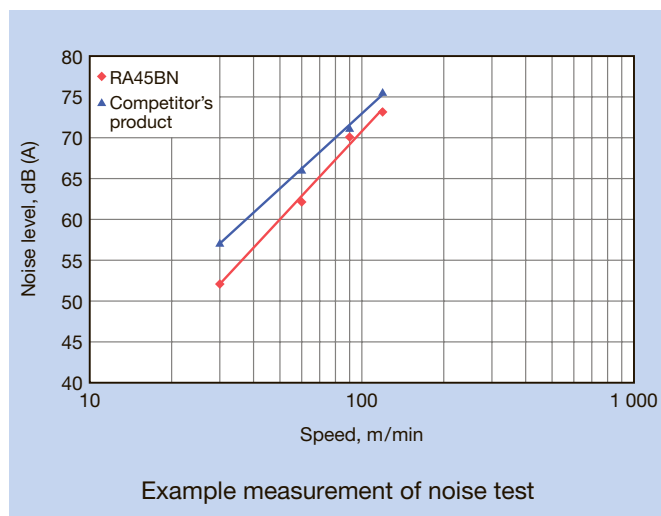
Highly dust-proof and maintenance-free operation

Roller slides include high performance seals as standard equipment. The seal completely blocks the entry of foreign matter in to the rolling surface and prevents loss of performance. In addition, rail covers are also available for severe operating conditions. (Rail covers reduce the amount of foreign matter to 1/10 that of conventional linear guide for machine tools.) The highly regarded NSK K1™ lubrication unit is also available to satisfy customer needs for long-term, maintenance-free operation.



Low noise

A retaining piece is provided between rollers to prevent collision of rollers to minimize noise.



Microphone position: 500 mm above rail
 Lubrication: Oil (VG68)

Specifications

1. Roller Slide Types and Shapes

- Two types of roller slides are available in this series: one with a mounting flange and a square type with tapped holes and no flange.
- A compact, low-profile square type is now available.
- On the mounting hole of the flange type, the tapped part is used to fix the roller slide from the top surface, and the minor diameter can be used as a bolt hole from the bottom. This provides mounting from both directions, top and bottom.
- Roller slide length can be specified by standard high load type or special long, super-high load type.

Fig. 1 Square type

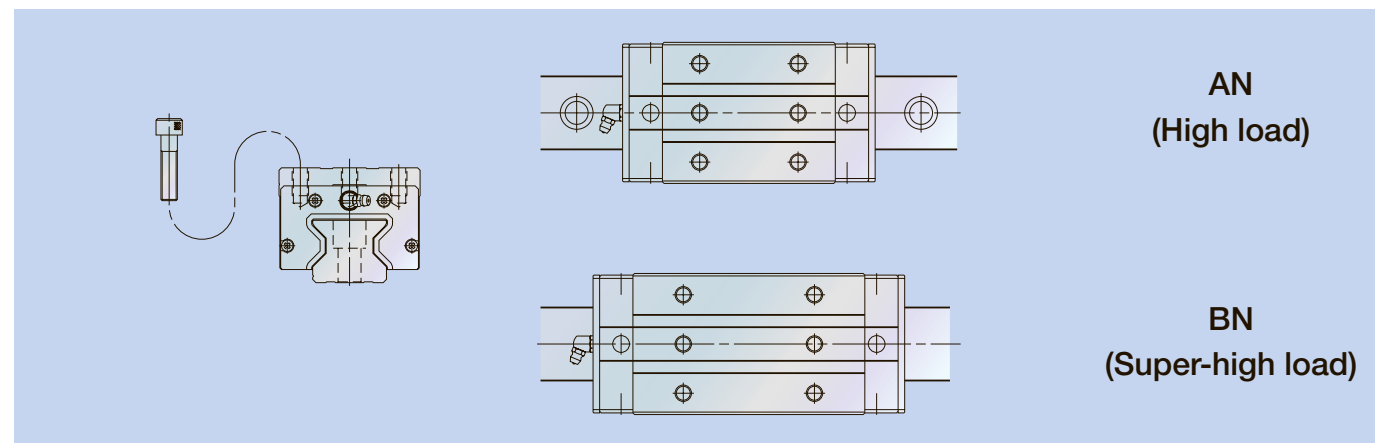


Fig. 2 Low-profile type

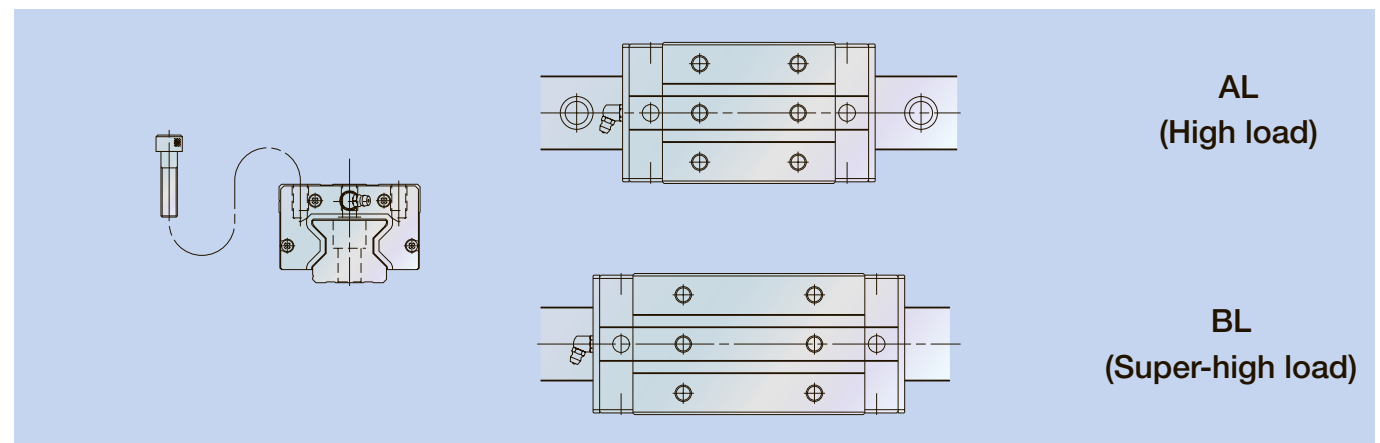
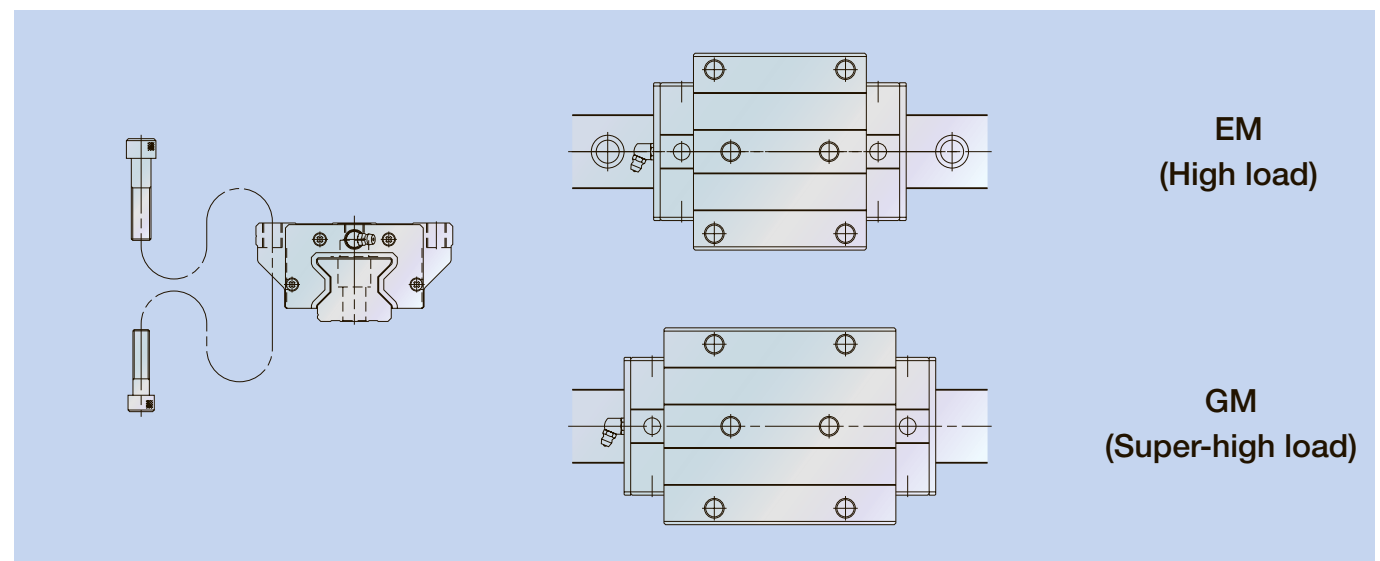


Fig. 3 Flange type



2. Accuracy

Four accuracy grades are available: ultra super precision P3, super precision P4, high precision P5, and precision P6.
 *: Difference in roller slides on the reference side roller guide.

Table 1 Accuracy standards

Unit: mm

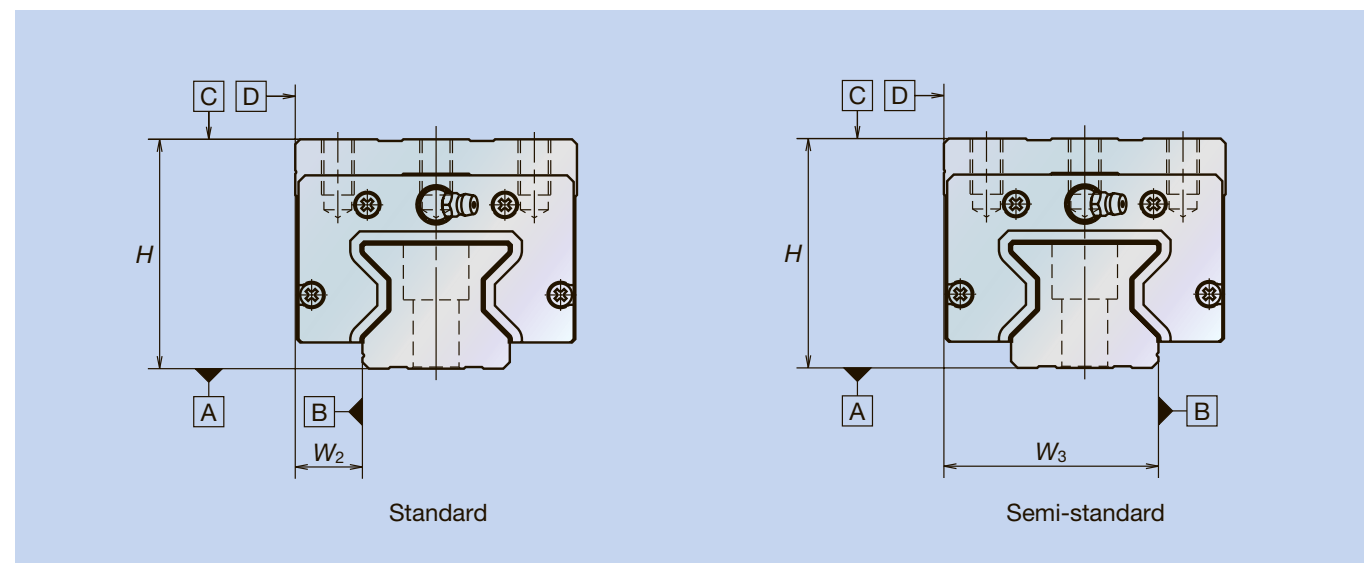
Accuracy standards	Accuracy grades			
	Ultra super precision P3	Super precision P4	High precision P5	Precision P6
Mounting height: Dimensions in mounting height H	±0.008	±0.010	±0.020	±0.040
Mounting width: Dimensions in mounting width W_2 or W_3	±0.010	±0.015	±0.025	±0.050
Variation of mounting height dimension H	0.003	0.005	0.007	0.015
Variation of mounting width dimension W_2 or W_3 *	0.003	0.007	0.010	0.020
Running parallelism of face C against face A Running parallelism of face D against face B	Refer to Table 2			

Table 2 Running parallelism

Unit: μm

Rail length (mm)	Ultra super precision P3	Super precision P4	High precision P5	Precision P6
Over - 50 or less	2	2	2	4.5
50 - 80	2	2	3	5
80 - 125	2	2	3.5	5.5
125 - 200	2	2	4	6
200 - 250	2	2.5	5	7
250 - 315	2	2.5	5	8
315 - 400	2	3	6	9
400 - 500	2	3	6	10
500 - 630	2	3.5	7	12
630 - 800	2	4	8	14
800 - 1 000	2.5	4.5	9	16
1 000 - 1 250	3	5	10	17
1 250 - 1 600	4	6	11	19
1 600 - 2 000	4.5	7	13	21
2 000 - 2 500	5	8	15	22
2 500 - 3 000	6	9.5	17	25

Fig. 4 Specifications of accuracy



3. Preload and Rigidity

Preload is set for the RA series by slightly changing the size of the roller used. Applying preload enhances rigidity and minimizes elastic deformation.

With the characteristics of the roller guide, there is minimal variation in rigidity according to amount of preload. Because the RA series offers stable, high rigidity, only medium preload type Z3 (preload: 10% of C, where C is the basic dynamic load rating) is set. Typical measurements for preload and rigidity are as follows.

Table 3 Preload and rigidity

Model No.	Preload (N)	
	Medium preload (Z3)	
	High load capacity type AL, AN, EM	Ultra high load capacity type BL, BN, GM
RA15	1 030	1 300
RA20	1 920	2 400
RA25	2 920	3 540
RA30	3 890	4 760
RA35	5 330	6 740
RA45	9 280	11 600
RA55	12 900	16 800
RA65	21 000	28 800

Fig. 5 Direction of load

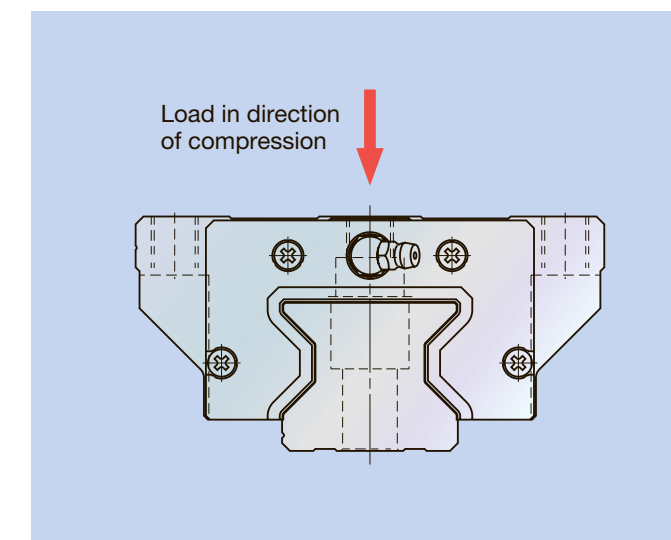
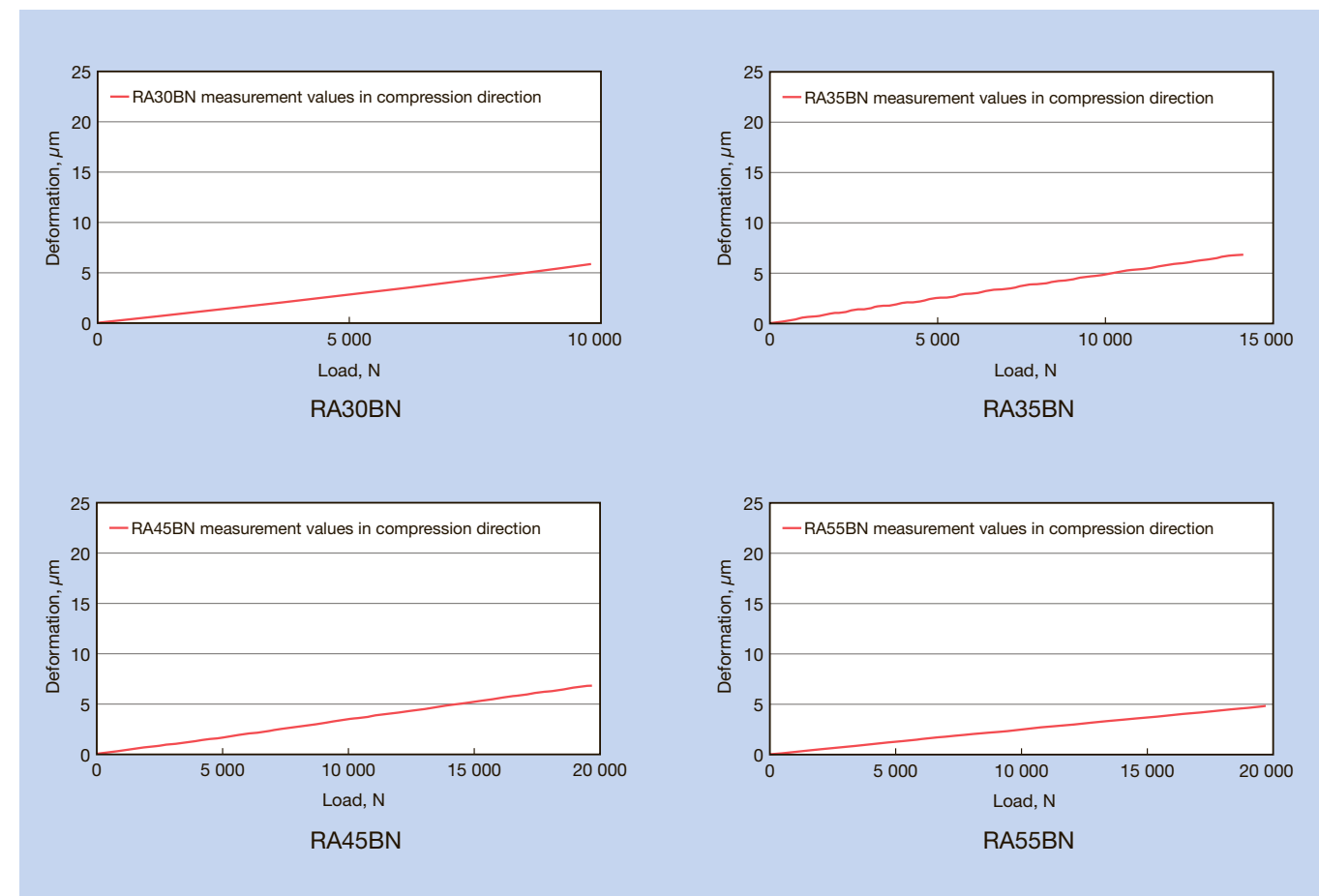


Fig. 6 Rigidity measurement data



4. Basic Load Rating and Rated Life

Basic dynamic load rating that expresses load capacity is established by ISO standards (ISO14728-1) for linear guides. With basic dynamic load rating, direction and size do not fluctuate so that rated fatigue life is 100 km. Load rating for NSK linear guides complies with ISO standards. With the RA series, dynamic load rating is the same in both the vertical and horizontal directions (4-way equal load specs.). Rated fatigue life L is calculated by the following formula when load F is applied to the roller slide in the horizontal or vertical direction only.

- This life formula is different from that for linear guides with ball rolling elements.
- f_w is load factor. Refer to the respective value from the following table 4 as a guideline according to potential vibration and the impact of the machine in which the linear guide is used, and select the load factor.

$$L = 100 \times \left(\frac{C}{f_w \cdot F} \right)^{\frac{10}{3}} \text{ (km)}$$

- When load R in the horizontal direction and load S in the vertical direction are simultaneously applied, use the following dynamic equivalent load F for the calculation:

$$F = R + 0.5S \text{ (} R \geq S \text{)}$$

$$F = S + 0.5R \text{ (} R < S \text{)}$$

5. Lubrication Specifications

With standard specifications, grease fittings are mounted on the side of the roller slide for the RA series, but can also be mounted on the side of the end cap with optional specifications. A lubrication hole can also be provided on the top of the end cap. Openings are not provided on the top or side with standard specifications in order to prevent dust. Contact NSK for more information.

Table 3 Load factor f_w

Impact and/or vibration	Load factor
No impact and vibration from the outside	1.0 – 1.5
With impact and/or vibration from the outside	1.5 – 2.0
With heavy impact and/or vibration from the outside	2.0 – 3.0

Fig. 7 Two directional load

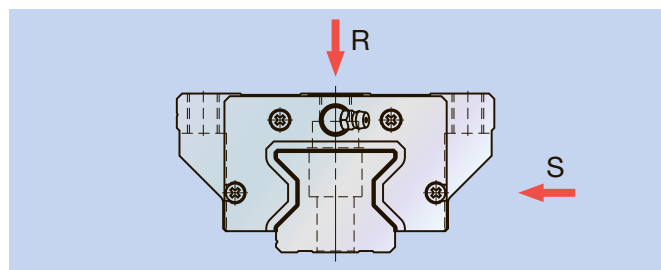


Fig. 8 Optional lubrication hole positions

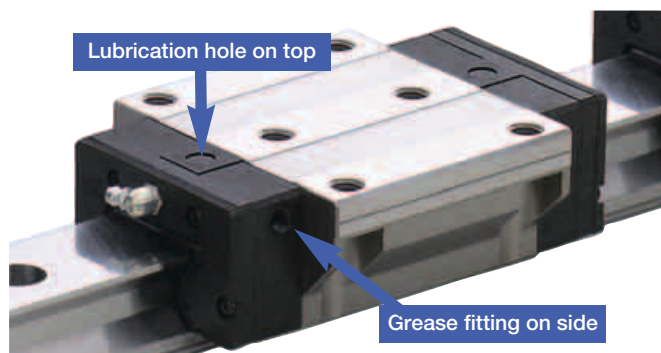


Fig. 9 Rail cover**



6. Dust-proof

RA series is equipped with side, inner* and bottom seals to prevent foreign matter from entering the inside of the roller slide. Under normal applications, the RA series can be used without modification. For severe usage conditions, optional rail covers are available. Contact NSK for information on how to mount the cover. The linear guide can also be equipped with a lubrication unit (NSK K1™) that has already proven its effectiveness with other NSK linear guides.

Table 5 Optional parts for dust-proofing

Name	Objective
NSK K1	Porous part containing oil enhances lubrication function.
Double seal	Sealing effect is enhanced by using pairs of side seals.
Protector	Removes large dust particles and protects side seals from hot and hard dust particles.
Rail cover**	Covers top of rail to prevent foreign matter from getting in the rail mounting holes.
Bolt hole cap	Prevents foreign matter such as cutting dust from collecting in the rail mounting holes.

* Inner seals for RA15 and RA20 are available as options. ** Rail cover is applicable to RA25 to 65.

7. Installation

(1) Mounting tolerance

Mounting tolerance results in harmful effects such as shortened operating life, deterioration in motion accuracy, and friction variation.

NSK particularly focuses on operating life, and sets an operating life value of more than 20 000 km calculated under the following conditions as mounting tolerance:

- The load per roller slide is 10% of basic dynamic load rating C .
- The rigidity of machine is infinite.

The tolerance in Fig. 10 is shown in the Table 6 as typical tolerance.

Fig. 10 Mounting tolerance

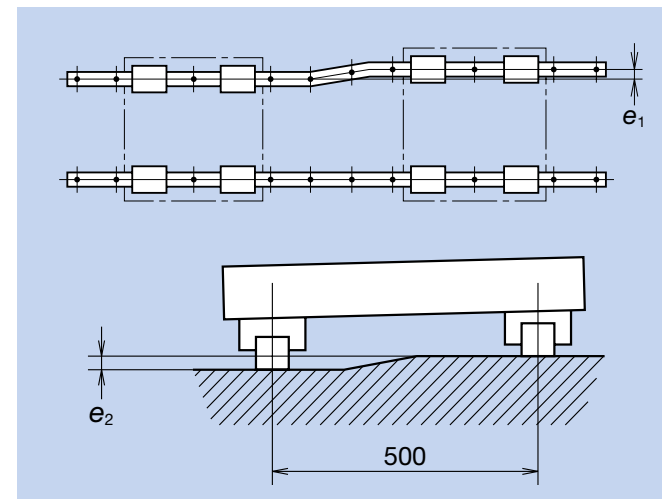


Table 6 Mounting tolerance of RA series Unit: μm

Model No.	Parallelism tolerance of two roller guides e_1	Height tolerance of two roller guides e_2
RA15	5	150 μm / 500 mm
RA20	7	
RA25	9	
RA30	11	
RA35	13	
RA45	17	
RA55	19	
RA65	30	

(2) Shoulder height and corner radius of mounting surface

When using the shoulders, which rise perpendicularly to the mounting surface, for accurate installation of a roller guide, refer to Fig. 11 and Table 7 for the dimensions.

Fig. 11 Datum face of roller guide and shoulder

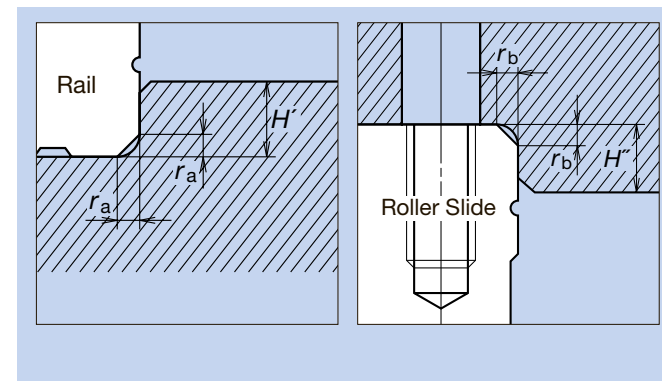


Table 7 Shoulder height and corner radius of attachment Unit: mm

Model No.	Shoulder Height		Chamfer (maximum)	
	H'	H''	r_a	r_b
RA15	3	4	0.5	0.5
RA20	4	5	0.5	0.5
RA25	4	5	0.5	1.0
RA30	5	6	1.0	1.0
RA35	5	6	1.0	1.0
RA45	6	8	1.5	1.0
RA55	7	10	1.5	1.5
RA65	11	11	1.5	1.5

Handling Precautions

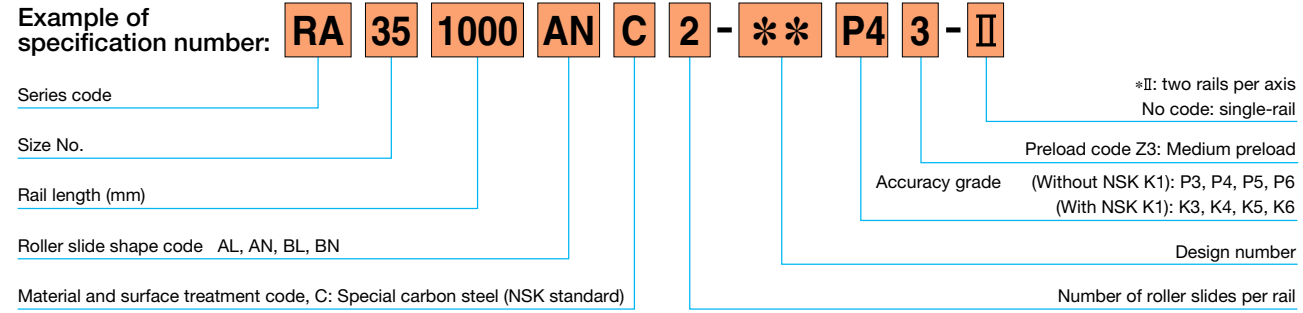
- ① If oil lubrication is used, the oil may not pervade the rolling surface according to the roller slide mounting conditions such as upside down mounting and wall mounting. In these situations, consult with NSK.
- ② Operating temperature limits should normally be less than 80 °C.
- ③ If using NSK K1™, service temperature should not exceed 50 °C (or 80 °C instantaneously). Make sure the unit does not come in contact with organic solvents with that can be used for degreasing. Do not place the unit in a location exposed to white kerosene or rust prevention oil containing white kerosene.

Square type (tapped mounting holes)

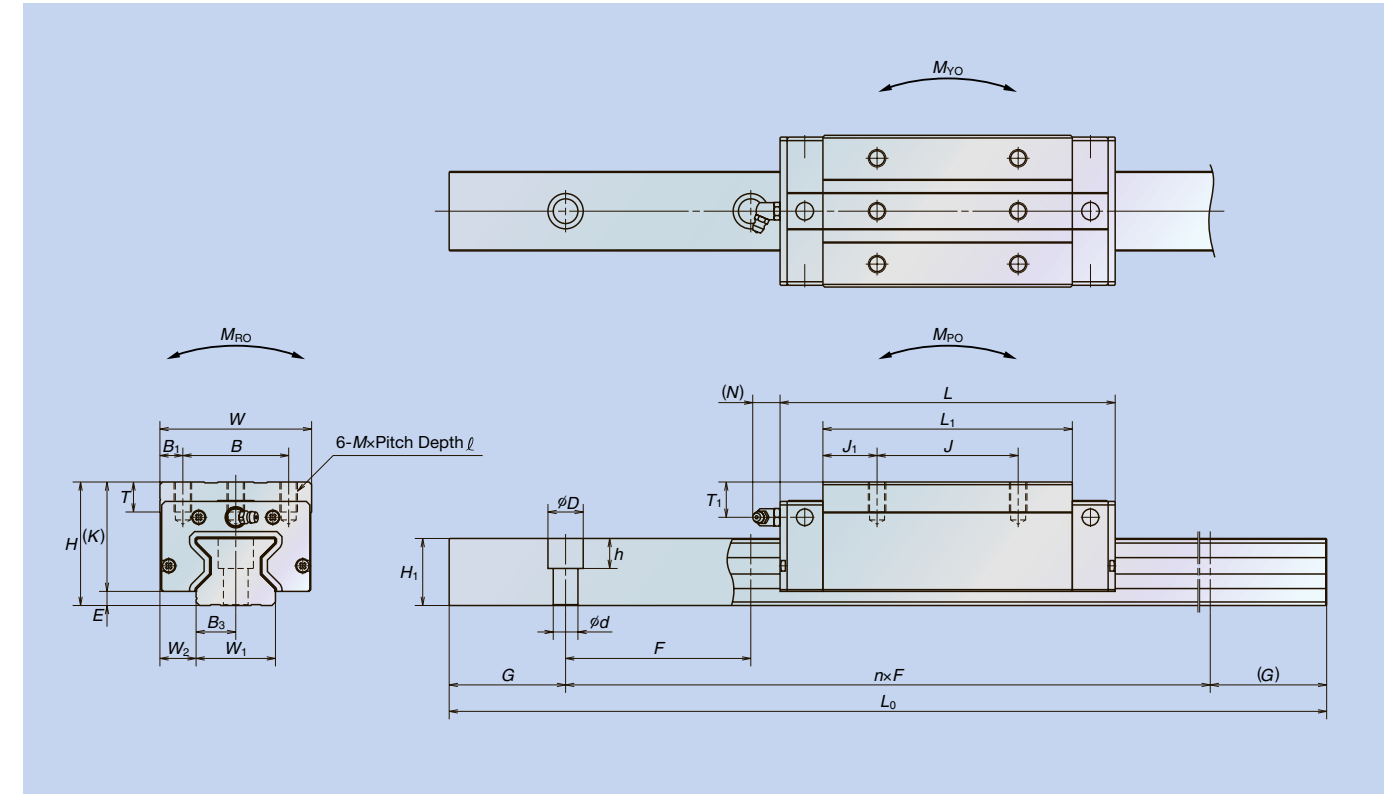
RA-AL (High load type)

RA-BL (Super-high load type)

RA-BN



*Please note that the appropriate design number will be inserted into the reference number and the tag end code (-II) will be omitted.



Model No.	Assembly			Roller slide										Rail					Basic load rating					Weight							
	Height H	E	W ₂	Width W	Length L	Tapped hole			B ₁	L ₁	J ₁	K	T	Grease nipple			Rail width W ₁	Rail height H ₁	Bolt pitch F	Bolt hole d x D x h	B ₃	G (recommended)	Maximum length L _{0max}	Dynamic C (N)	Static C ₀ (N)	Static moment (N·m)			Bearing (kg)	Rail (kg/m)	
						B	J	M x Pitch x l						Mounting hole	T ₁	N										M _{RO}	M _{PO}	M _{YO}			
RA15AL	24				70			M4x0.7x5.5		44.8	9.4	20			4			15	16.3	60* (30)	4.5x7.5x5.3	7.5	20	2 000	10 300	27 500	260	210	210	0.17	
RA15AN	28	4	9.5	34	85.4	26	26	M4x0.7x6	4	60.2	17.1	24	8	φ3	8	3									13 000	37 000	350	375	375	0.21	1.6
RA15BL	24				85.4			M4x0.7x5.5				20			4															0.25	
RA15BN	28				85.4			M4x0.7x6				24			8															0.30	
RA20AN	30	5	12	44	86.5	32	36	M5x0.8x6	6	57.5	10.75	25	12	φ3	4	3	20	20.8	60* (30)	6x9.5x8.5	10	20	3 000	19 200	52 500	665	505	505	0.38		
RA20BN	30				106.3		50			77.3	13.65	25	12		4	3									24 000	70 000	890	900	900	0.50	2.6
RA25AL	36				97.5			M6x1x8		65.5	15.25	31			6										29 200	72 700	970	760	760	0.45	
RA25AN	40	5	12.5	48	115.5	35	35	M6x1x9	6.5	83.5	16.75	35	12	M6x0.75	10	11	23	24	30	7x11x9	11.5	20	3 000	35 400	92 900	1 240	1 240	1 240	0.60		
RA25BL	36				115.5			M6x1x8				31			6															0.80	
RA25BN	40				115.5			M6x1x9				35			10															0.91	3.4
RA30AL	42				110.8			M8x1.25x11		74	17	35.5			7										38 900	93 500	1 670	1 140	1 140	0.85	
RA30AN	45	6.5	16	60	135.4	40	40		10	98.6	19.3	38.5	14	M6x0.75	10	11	28	28	40	9x14x12	14	20	3 500	47 600	121 000	2 170	1 950	1 950	1.0		
RA30BL	42				135.4							35.5			7															1.1	4.9
RA30BN	45				135.4							38.5			10															1.3	
RA35AL	48				123.8			M8x1.25x12		83.2	16.6	41.5			8										53 300	129 000	2 810	1 800	1 800	1.2	
RA35AN	55	6.5	18	70	152	50	50		10	111.4	19.7	48.5	15	M6x0.75	15	11	34	31	40	9x14x12	17	20	3 500	67 400	175 000	3 810	3 250	3 250	1.6		
RA35BL	48				152							41.5			8															1.7	6.8
RA35BN	55				152							48.5			15															2.1	
RA45AL	60				154			M10x1.5x16		105.4	22.7	52			10										92 800	229 000	6 180	4 080	4 080	2.5	
RA45AN	70	8	20.5	86	190	60	60	M10x1.5x17	13	141.4	30.7	62	17	R _C 1/8	20	14	45	38	52.5	14x20x17	22.5	22.5	3 500	116 000	305 000	8 240	7 150	7 150	3.0		
RA45BL	60				190			M10x1.5x16				52			10															3.4	10.9
RA45BN	70				190			M10x1.5x17				62			20															4.1	
RA55AL	70				184			M12x1.75x18		128	26.5	61			11										129 000	330 000	10 200	7 060	7 060	4.1	
RA55AN	80	9	23.5	100	234	75	75		12.5	178	41.5	71	18	R _C 1/8	21	14	53	43.5	60	16x23x20	26.5	30	3 500	168 000	462 000	14 300	13 600	13 600	4.9		
RA55BL	70				234							61			11															5.7	14.6
RA55BN	80				234							71			21															6.7	
RA65AN	90	13	31.5	126	228.4	76	70	M16x2x20	25	155.4	42.7	77	22	R _C 1/8	19	14	63	55	75	18x26x22	31.5	35	3 500	210 000	504 000	19 200	12 700	12 700	9.3		
RA65BN	90				302.5		120			229.5	54.75	77	22		19	14														12.2	22.0

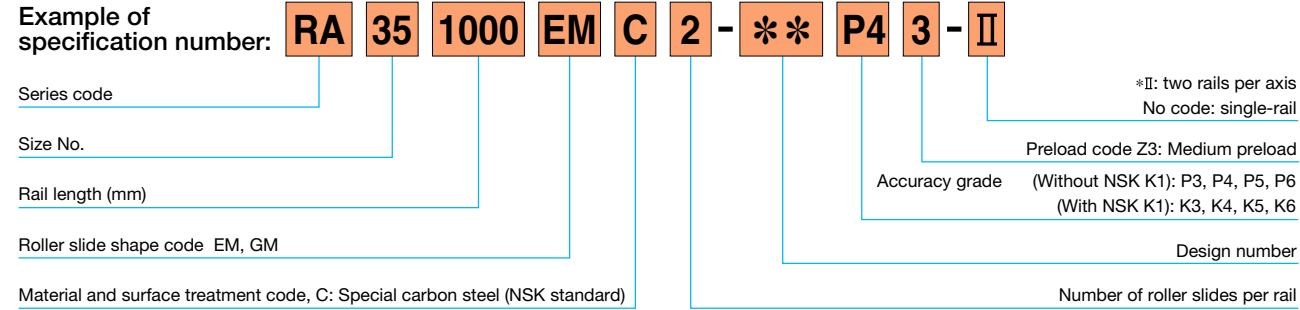
* Either 60 mm or 30 mm of bolt pitch F is applicable for RA15 and RA20. 60 mm bolt pitch will be provided if not specified.

- The basic load rating complies with ISO standards (ISO14728-1, ISO14728-2). If the above basic dynamic load rating (100 km rating) is converted into 50 km rating, use the following formula:
 $C_{50 km} = 1.23 \times C_{100 km}$
- If the rail length exceeds the above limitation, you may be able to cope with the problem by rails for butting connections. Contact NSK for more information.

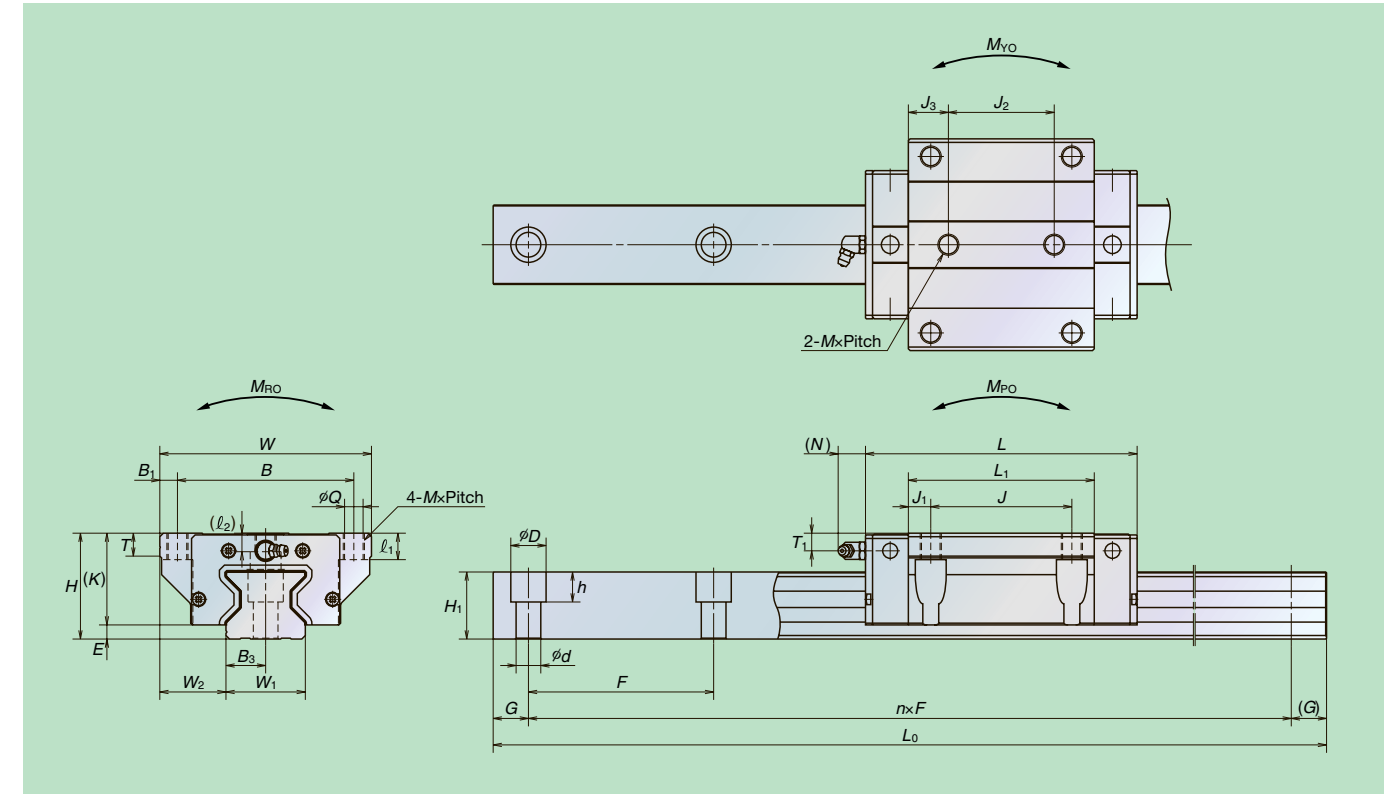
Flange type (for both tapped and bolt mounting holes)

RA-EM (High load type)

RA-GM (Super-high load type)



*Please note that the appropriate design number will be inserted into the reference number and the tag end code (-II) will be omitted.



Model No.	Assembly			Roller slide													Rail							Basic load rating					Weight					
	Height H	E	W_2	Width W	Length L	Tapped hole, Fixing bolt						B_1	L_1	J_1	J_3	K	T	Grease nipple			Rail width W_1	Rail height H_1	Bolt pitch F	Bolt hole $d \times D \times h$	B_3	G (recommended)	Maximum length L_{0max}	Dynamic $C(N)$	Static $C_0(N)$	Static moment (N-m)			Bearing (kg)	Rail (kg/m)
						B	J	J_2	$M \times \text{Pitch} \times l_1(l_2)$	$Q \times l_1(l_2)$	Mounting hole							T_1	N	M_{R0}										M_{P0}	M_{Y0}			
RA15EM RA15GM	24	4	16	47	70 85.4	38	30	26	M5×0.8×8.5 (6.5)	4.4×8.5 (6.5)	4.5	44.8 60.2	7.4 15.1	9.4 17.1	20	8	$\phi 3$	4	3	15	16.3	60* (30)	4.5×7.5×5.3	7.5	20	2 000	10 300 13 000	27 500 37 000	260 350	210 375	210 375	0.21 0.28	1.6	
RA20EM RA20GM	30	5	21.5	63	86.5 106.3	53	40	35	M6×1×9.5 (8)	5.3×9.5 (8)	5	57.5 77.3	8.75 18.65	11.25 21.15	25	10	$\phi 3$	4	3	20	20.8	60* (30)	6×9.5×8.5	10	20	3 000	19 200 24 000	52 500 70 000	665 890	505 900	505 900	0.45 0.65	2.6	
RA25EM RA25GM	36	5	23.5	70	97.5 115.5	57	45	40	M8×1.25×10 (11)	6.8×10 (11)	6.5	65.5 83.5	10.25 19.25	12.75 21.75	31	11	M6×0.75	6	11	23	24	30	7×11×9	11.5	20	3 000	29 200 35 400	72 700 92 900	970 1 240	760 1 240	760 1 240	0.80 1.1	3.4	
RA30EM RA30GM	42	6.5	31	90	110.8 135.4	72	52	44	M10×1.5×12 (12.5)	8.6×12 (12.5)	9	74 98.6	11 23.3	15 27.3	35.5	11	M6×0.75	7	11	28	28	40	9×14×12	14	20	3 500	38 900 47 600	93 500 121 000	1 670 2 170	1 140 1 950	1 140 1 950	1.3 1.7	4.9	
RA35EM RA35GM	48	6.5	33	100	123.8 152	82	62	52	M10×1.5×13 (7)	8.6×13 (7)	9	83.2 111.4	10.6 24.7	15.6 29.7	41.5	12	M6×0.75	8	11	34	31	40	9×14×12	17	20	3 500	53 300 67 400	129 000 175 000	2 810 3 810	1 800 3 250	1 800 3 250	1.7 2.3	6.8	
RA45EM RA45GM	60	8	37.5	120	154 190	100	80	60	M12×1.75×15 (10.5)	10.5×15 (10.5)	10	105.4 141.4	12.7 30.7	22.7 40.7	52	13	$R_C 1/8$	10	14	45	38	52.5	14×20×17	22.5	22.5	3 500	92 800 116 000	229 000 305 000	6 180 8 240	4 080 7 150	4 080 7 150	3.2 4.3	10.9	
RA55EM RA55GM	70	9	43.5	140	184 234	116	95	70	M14×2×18 (13)	12.5×18 (13)	12	128 178	16.5 41.5	29 54	61	15	$R_C 1/8$	11	14	53	43.5	60	16×23×20	26.5	30	3 500	129 000 168 000	330 000 462 000	10 200 14 300	7 060 13 600	7 060 13 600	5.4 7.5	14.6	
RA65EM RA65GM	90	13	53.5	170	228.4 302.5	142	110	82	M16×2×24 (18.5)	14.6×24 (18.5)	14	155.4 229.5	22.7 59.75	36.7 73.75	77	22	$R_C 1/8$	19	14	63	55	75	18×26×22	31.5	35	3 500	210 000 288 000	504 000 756 000	19 200 28 700	12 700 28 600	12 700 28 600	12.2 16.5	22.0	

* Either 60 mm or 30 mm of bolt pitch F is applicable for RA15 and RA20.
 60 mm bolt pitch will be provided if not specified.

- The basic load rating complies with ISO standards (ISO14728-1, ISO14728-2).
 If the above basic dynamic load rating (100 km rating) is converted into 50 km rating, use the following formula:
 $C_{50 \text{ km}} = 1.23 \times C_{100 \text{ km}}$
- If the rail length exceeds the above limitation, you may be able to cope with the problem by rails for butting connections. Contact NSK for more information.

Worldwide Sales Offices

NSK Ltd. – Headquarters, Tokyo, Japan	www.nsk.com	Korea:		Netherlands:	
ASIA BUSINESS STRATEGIC DIVISION-HEADQUARTERS	tel: 03-3779-7145	NSK Korea Co., Ltd.	www.kr.nsk.com	NSK European Distribution Centre B.V.	
INDUSTRIAL MACHINERY BEARINGS DIVISION-HEADQUARTERS	tel: 03-3779-7227	Seoul	tel: 02-3287-0300	Tilburg	tel: 013-4647647
AUTOMOTIVE DIVISION-HEADQUARTERS	tel: 03-3779-7189	Changwon Plant	tel: 055-287-6001	Poland:	
NEEDLE ROLLER BEARINGS STRATEGIC DIVISION-HEADQUARTERS	tel: 03-3779-2563	Malaysia:		NSK Europe Ltd. Warsaw Liaison Office	
PRECISION MACHINERY & PARTS DIVISION-HEADQUARTERS	tel: 03-3779-7219	NSK Bearings (Malaysia) Sdn. Bhd.	tel: 03-7722-3373	Warsaw Liaison	tel: 022-645-1525, 1526
		Kuala Lumpur		NSK Iskra S.A.	
		NSK Micro Precision (M) Sdn. Bhd.	tel: 03-8961-6288	Kielce	tel: 041-367-0505
		Malaysia Plant		NSK European Technology Center, Poland Office	tel: 041-366-5812
		New Zealand:		NSK Steering Systems Europe (Polska) Sp.zo.o	tel: 074-664-4101
		NSK New Zealand Ltd.	www.nsk-rhp.co.nz	Spain:	
		Auckland	tel: 09-276-4992	NSK Spain S.A.	
Africa		Philippines:		Barcelona	tel: 093-289-27-63
South Africa:		NSK Representative Office		Turkey:	
NSK South Africa (Pty) Ltd.	tel: 011-458-3600	Manila	tel: 02-759-6246	NSK Bearings Middle East Trading Co., Ltd.	
Johannesburg		Singapore:		Istanbul	tel: 0216-442-7106
Asia and Oceania		NSK International (Singapore) Pte Ltd.		United Kingdom:	
Australia:		Singapore	tel: 65-6278-1711	NSK Bearings Europe Ltd.	
NSK Australia Pty. Ltd.	www.nskaustralia.com.au	NSK Singapore (Pte) Ltd.	www.nsk-singapore.com.sg	Peterlee Plant	tel: 0191-586-6111
Melbourne	tel: 03-9764-8302	Singapore	tel: 65-6278-1711	NSK European Technology Centre	
China:		Taiwan:		Newark	tel: 01636-605123
NSK Hong Kong Ltd.	tel: 2739-9933	Taiwan NSK Precision Co., Ltd.		NSK UK Ltd.	tel: 01636-605123
Hong Kong		Taipei	tel: 02-2509-3305	NSK Precision UK Ltd.	tel: 01636-605123
Kunshan NSK Co., Ltd.		Thailand:		Newark	tel: 01636-605123
Kunshan Plant	tel: 0512-5771-5654	NSK Bearings (Thailand) Co., Ltd.		NSK Steering Systems Europe Ltd.	tel: 024-76-588588
Changshu NSK Needle Bearing Co., Ltd.	tel: 0512-5283-2938	Bangkok	tel: 02-6412-150	North and South America	
Jiangsu Plant	tel: 0512-5283-2938	NSK Bearings Manufacturing (Thailand) Co., Ltd.		NSK Americas, Inc. (American Headquarters)	
Guizhou HS NSK Bearings Co., Ltd.	tel: 0853-3521505	Chonburi	tel: 038-454010-454016	Ann Arbor	tel: 734-913-7500
Anshun Plant	tel: 0769-262-0960	SIAM NSK Steering Systems Co., Ltd.		Argentina:	
NSK Steering Systems Dongguan Co., Ltd.	tel: 0512-5867-6496	Chachoengsao	tel: 038-522-343-350	NSK Argentina SRL	
Dongguan Plant	tel: 0512-5867-6496	NSK Asia Pacific Technology Center (Thailand) Co., Ltd.	tel: 038-454631-454633	Buenos Aires	tel: 11-4704-5100
Zhangjiagang NSK Precision Machinery Co., Ltd.	tel: 0512-6665-5666	Chonburi		Brazil:	
Jiangsu Plant	tel: 0512-6665-5666	Vietnam:		NSK Brasils Ltda.	www.br.nsk.com
NSK China Technology Center	tel: 0512-5771-5654	NSK Representative Office		São Paulo	tel: 011-3269-4723
Jiangsu		Hanoi	tel: 04-935-1269	Canada:	
NSK (Shanghai) Trading Co., Ltd.	tel: 021-6235-0198	Europe		NSK Canada Inc.	www.ca.nsk.com
Shanghai		NSK Europe Ltd. (European Headquarters)		Toronto	tel: 905-890-0740
NSK Representative Offices	www.nsk.com.cn	Maidenhead, U.K.	www.eu.nsk.com	Mexico:	
Beijing	tel: 010-6590-8161	France:	tel: 01628-509800	NSK Rodamientos Mexicana, S.A. de C.V.	www.mx.nsk.com
Guangzhou	tel: 020-3786-4833	NSK France S.A.S		Mexico City	tel: 55-5390-4312
Anshun	tel: 0853-3522522	Paris	tel: 01-30-57-39-39	United States of America:	
Chengdu	tel: 028-8661-4200	Germany:		NSK Corporation	www.us.nsk.com
Shenzhen	tel: 0755-25904886	NSK Deutschland GmbH		Ann Arbor	tel: 734-913-7500
Changchun	tel: 0431-8988682	Düsseldorf	tel: 02102-481-0	NSK American Technology Center	
NSK (China) Investment Co., Ltd.	tel: 021-6235-0198	Düsseldorf	tel: 02102-481-0	Ann Arbor	tel: 734-913-7500
Shanghai		NSK Steering Systems Europe Ltd.	tel: 0771-79082-277	NSK Precision America, Inc.	www.npa.nsk.com
India:		Stuttgart		Franklin	tel: 317-738-5038
Rane NSK Steering Systems Ltd.	tel: 044-274-66002	Neuweg Fertigung GmbH	tel: 07393-540	NSK Steering Systems America, Inc.	www.nssa.nsk.com
Chennai		Munderkingen		Bennington, Vermont	tel: 802-442-5448
NSK Ltd. India Blanch Office	tel: 044-2446-6862	Italy:		NSK Latin America, Inc.	www.la.nsk.com
Chennai		NSK Italia S.p.A.	tel: 02-995-19-1	Miami	tel: 305-477-0605
Indonesia:		Milano			
PT. NSK Bearings Manufacturing Indonesia	tel: 021-898-0155	Industria Cuscinetti S.p.A.	tel: 0119824811		
Jakarta		Torino Plant			
PT. NSK Indonesia	tel: 021-252-3458				
Jakarta					

NSK Ltd. has a basic policy not to export any products or technology designated as controlled items by export-related laws. When exporting the products in this brochure, the laws of the exporting country must be observed. Specifications are subject to change without notice and without any obligation on the part of the manufacturer. Every care has been taken to ensure the accuracy of the data contained in this brochure, but no liability can be accepted for any loss or damage suffered through errors or omissions. We will gratefully acknowledge any additions or corrections.

For more information about NSK products, please contact: _____



Printed on 100% recycled paper.