

螺柄滾輪型

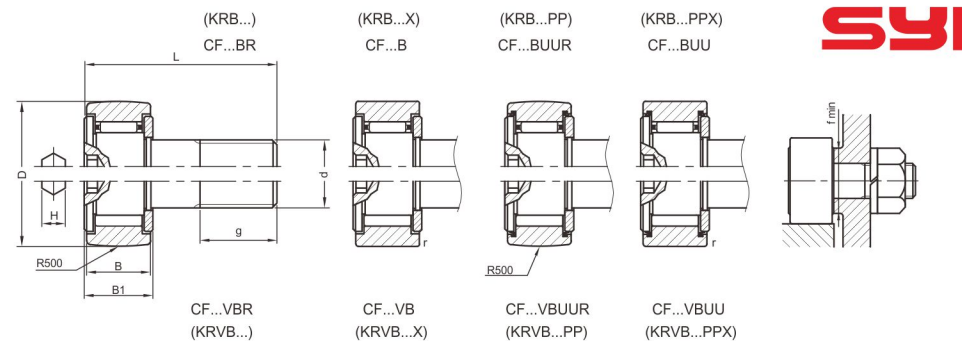
Stud type track rollers

六角孔_珠巢型

With hexagonal socket-cage type

六角孔_滿針型

With hexagonal socket-full complement

CF...BR
(KRB...)CF...BUUR
(KRB...PP)CF...VBR
(KRVB...)CF...VB
(KRVB...X)CF...VBUUR
(KRVB...PP)CF...VBUU
(KRVB...PPX)

mm			軸承型號 Series				單位重 Weight		
D	d	B	球面外輪 Crowned outer ring R 500	圓筒外輪 Cylindrical outer ring		g	B1	L	
16	6	11	CF 6BR	KRB16	CF 6B	KRB16X	18.5	12	28
	6	11	CF 6BUUR	KRB16PP	CF 6BUU	KRB16PPX	18.5	12	28
	6	11	CF 6VBR	KRVB16	CF 6VB	KRVB16X	18.5	12	28
	6	11	CF 6VBUUR	KRVB16PP	CF 6VBUU	KRVB16PPX	18.5	12	28
19	8	11	CF 8BR	KRB19	CF 8B	KRB19X	28.5	12	32
	8	11	CF 8BUUR	KRB19PP	CF 8BUU	KRB19PPX	28.5	12	32
	8	11	CF 8VBR	KRVB19	CF 8VB	KRVB19X	28.5	12	32
	8	11	CF 8VBUUR	KRVB19PP	CF 8VBUU	KRVB19PPX	28.5	12	32
22	10	12	CF 10BR	KRB22	CF 10B	KRB22X	45	13	36
	10	12	CF 10BUUR	KRB22PP	CF 10BUU	KRB22PPX	45	13	36
	10	12	CF 10VBR	KRVB22	CF 10VB	KRVB22X	45	13	36
	10	12	CF 10VBUUR	KRVB22PP	CF 10VBUU	KRVB22PPX	45	13	36
26	10	12	CF 10-1BR	KRB26	CF 10-1B	KRB26X	60	13	36
	10	12	CF 10-1BUUR	KRB26PP	CF 10-1BUU	KRB26PPX	60	13	36
	10	12	CF 10-1VBR	KRVB26	CF 10-1VB	KRVB26X	60	13	36
	10	12	CF 10-1VBUUR	KRVB26PP	CF 10-1VBUU	KRVB26PPX	60	13	36

(1)當使用機油潤滑時,極限回轉速為表列數值的130%。

With oil lubrication, 130% of the values given in the tables are permissible.

(2)Also with slotted socket type available and be produced by order.

尺寸 Dimensions mm								基本額定負荷 Basic load ratings		最大工作 荷重 working load Max.	極限回轉速 Limited Speed
d	g	H	d1	d2	J	r	f	動Dynamic C kgf	靜Static Co kgf	kgf	油脂潤滑 Grease rpm(1)
M6X1	9	3	-	-	-	0.5	9.5	420	440	200	22000
M6X1	9	3	-	-	-	0.5	9.5	420	440	200	15000
M6X1	9	3	-	-	-	0.5	9.5	670	810	200	8000
M6X1	9	3	-	-	-	0.5	9.5	670	810	200	6500
M8X1.25	11	4	-	-	-	0.5	11.5	440	400	470	20000
M8X1.25	11	4	-	-	-	0.5	11.5	440	400	470	14000
M8X1.25	11	4	-	-	-	0.5	11.5	840	940	470	7000
M8X1.25	11	4	-	-	-	0.5	11.5	840	940	470	6000
M10X1.25	13	4	-	-	-	1	13.5	560	700	700	16000
M10X1.25	13	4	-	-	-	1	13.5	560	700	700	11000
M10X1.25	13	4	-	-	-	1	13.5	950	1420	700	5500
M10X1.25	13	4	-	-	-	1	13.5	950	1420	700	5000
M10X1.25	13	4	-	-	-	1	13.5	560	700	700	16000
M10X1.25	13	4	-	-	-	1	13.5	560	700	700	11000
M10X1.25	13	4	-	-	-	1	13.5	950	1420	700	5500
M10X1.25	13	4	-	-	-	1	13.5	950	1420	700	5000

螺柄滾輪型

Stud type track rollers

六角孔_珠巢型

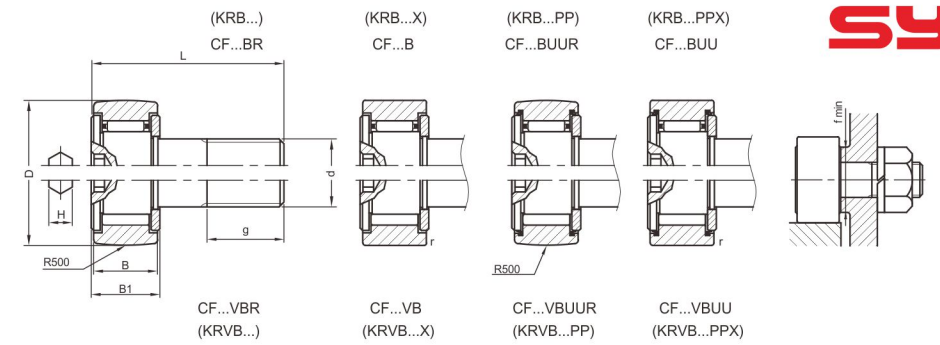
With hexagonal socket-cage type

六角孔_滿針型

With hexagonal socket-full complement

CF...BR
(KRB...)CF...BUUR
(KRB...PP)

CF...BR CF...VBR
 CF...B CF...VB
 CF...BUUR CF...VBUUR
 CF...BUU CF...VBUU



mm			軸承型號 Series				單位重 Weight		
D	d	B	球面外輪 Crowned outer ring R 500		圓筒外輪 Cylindrical outer ring		g	B1	L
30	12	14	CF 12BR	KRB30	CF 12B	KRB30X	95	15	40
	12	14	CF 12BUUR	KRB30PP	CF 12BUU	KRB30PPX	95	15	40
	12	14	CF 12VBR	KRVB30	CF 12VB	KRVB30X	95	15	40
	12	14	CF 12VBUUR	KRVB30PP	CF 12VBUU	KRVB30PPX	95	15	40
32	12	14	CF 12-1BR	KRB32	CF 12-1B	KRB32X	105	15	40
	12	14	CF 12-1BUUR	KRB32PP	CF 12-1BUU	KRB32PPX	105	15	40
	12	14	CF 12-1VBR	KRVB32	CF 12-1VB	KRVB32X	105	15	40
	12	14	CF 12-1VBUUR	KRVB32PP	CF 12-1VBUU	KRVB32PPX	105	15	40
35	16	18	CF 16BR	KRB35	CF 16B	KRB35X	170	19.5	52
	16	18	CF 16BUUR	KRB35PP	CF 16BUU	KRB35PPX	170	19.5	52
	16	18	CF 16VBR	KRVB35	CF 16VB	KRVB35X	170	19.5	52
	16	18	CF 16VBUUR	KRVB35PP	CF 16VBUU	KRVB35PPX	170	19.5	52
40	18	20	CF 18BR	KRB40	CF 18B	KRB40X	250	21.5	58
	18	20	CF 18BUUR	KRB40PP	CF 18BUU	KRB40PPX	250	21.5	58
	18	20	CF 18VBR	KRVB40	CF 18VB	KRVB40X	250	21.5	58
	18	20	CF 18VBUUR	KRVB40PP	CF 18VBUU	KRVB40PPX	250	21.5	58

(1)當使用機油潤滑時,極限回轉速為表列數值的130%.

With oil lubrication, 130% of the values given in the tables are permissible.

(2)Also with slotted socket type available and be produced by order.

尺寸 Dimensions mm								基本額定負荷 Basic load ratings		最大工作 荷重 working load Max.	極限回轉速 Limited Speed
d	g	H	d1	d2	J	r	f	動Dynamic C kgf	靜Static Co kgf	kgf	油脂潤滑 Grease rpm(1)
M12X1.5	14	6	6	3	6	1.5	17	840	1080	1000	11000
M12X1.5	14	6	6	3	6	1.5	17	840	1080	1000	8000
M12X1.5	14	6	6	3	6	1.5	17	1510	2300	1000	4000
M12X1.5	14	6	6	3	6	1.5	17	1510	2300	1000	3500
M12X1.5	14	6	6	3	6	1.5	17	840	1080	1000	11000
M12X1.5	14	6	6	3	6	1.5	17	840	1080	1000	8000
M12X1.5	14	6	6	3	6	1.5	17	1510	2300	1000	4000
M12X1.5	14	6	6	3	6	1.5	17	1510	2300	1000	3500
M16X1.5	18	6	6	3	8	1.5	22	1180	1830	1850	8500
M16X1.5	18	6	6	3	8	1.5	22	1180	1830	1850	6000
M16X1.5	18	6	6	3	8	1.5	22	1860	3340	1850	3000
M16X1.5	18	6	6	3	8	1.5	22	1860	3340	1850	2500
M18X1.5	20	6	6	3	8	1.5	26	1780	2760	2550	7000
M18X1.5	20	6	6	3	8	1.5	26	1780	2760	2550	5000
M18X1.5	20	6	6	3	8	1.5	26	2710	4800	2550	2500
M18X1.5	20	6	6	3	8	1.5	26	2710	4800	2550	2100

螺柄滾輪型

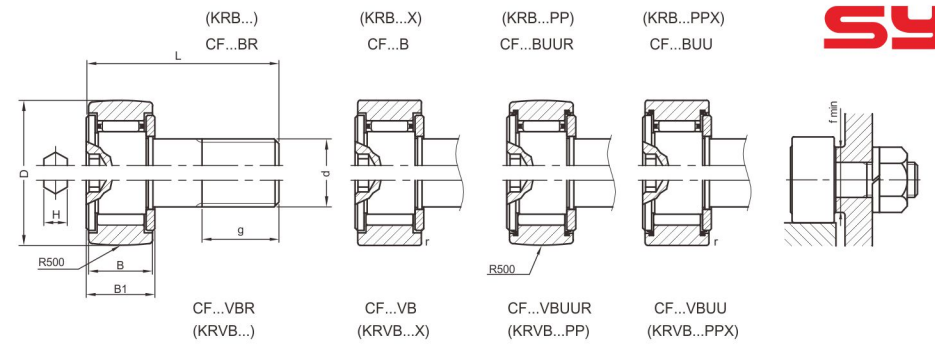
Stud type track rollers

六角孔_珠巢型

With hexagonal socket-cage type

六角孔_滿針型

With hexagonal socket-full complement

CF...BR
(KRB...)CF...BUUR
(KRB...PP)

CF...BR CF...VBR
 CF...B CF...VB
 CF...BUUR CF...VBUUR
 CF...BUU CF...VBUU

mm			軸承型號 Series				單位重 Weight		
D	d	B	球面外輪 Crowned outer ring R 500		圓筒外輪 Cylindrical outer ring		g	B1	L
47	20	24	CF 20-1BR	KRB47	CF 20-1B	KRB47X	385	25.5	66
	20	24	CF 20-1BUUR	KRB47PP	CF 20-1BUU	KRB47PPX	385	25.5	66
	20	24	CF 20-1VBR	KRVB47	CF 20-1VB	KRVB47X	385	25.5	66
	20	24	CF 20-1VBUUR	KRVB47PP	CF 20-1VBUU	KRVB47PPX	385	25.5	66
52	20	24	CF 20BR	KRB52	CF 20B	KRB52X	460	25.5	66
	20	24	CF 20BUUR	KRB52PP	CF 20BUU	KRB52PPX	460	25.5	66
	20	24	CF 20VBR	KRVB52	CF 20VB	KRVB52X	460	25.5	66
	20	24	CF 20VBUUR	KRVB52PP	CF 20VBUU	KRVB52PPX	460	25.5	66
62	24	29	CF 24BR	KRB62	CF 24B	KRB62X	815	30.5	80
	24	29	CF 24BUUR	KRB62PP	CF 24BUU	KRB62PPX	815	30.5	80
	24	29	CF 24VBR	KRVB62	CF 24VB	KRVB62X	815	30.5	80
	24	29	CF 24VBUUR	KRVB62PP	CF 24VBUU	KRVB62PPX	815	30.5	80
72	24	29	CF 24-1BR	KRB72	CF 24-11B	KRB2X	1140	30.5	80
	24	29	CF 24-1BUUR	KRB72PP	CF 24-1BUU	KRB72PPX	1140	30.5	80
	24	29	CF 24-1VBR	KRVB72	CF 24-1VB	KRVB72X	1140	30.5	80
	24	29	CF 24-1VBUUR	KRVB72PP	CF 24-1VBUU	KRVB72PPX	1140	30.5	80

(1)當使用機油潤滑時,極限回轉速為表列數值的130%.

With oil lubrication, 130% of the values given in the tables are permissible.

(2)Also with slotted socket type available and be produced by order.

尺寸 Dimensions mm								基本額定負荷 Basic load ratings		最大工作 荷重 working load Max.	極限回轉速 Limited Speed
d	g	H	d1	d2	J	r	f	動Dynamic C kgf	靜Static Co kgf	kgf	油脂潤滑 Grease rpm(1)
M20X1.5	22	8	8	4	9	1.5	32.5	1960	3230	3250	6500
M20X1.5	22	8	8	4	9	1.5	32.5	1960	3230	3250	5000
M20X1.5	22	8	8	4	9	1.5	32.5	3360	6580	3250	2500
M20X1.5	22	8	8	4	9	1.5	32.5	3360	6580	3250	2000
M20X1.5	22	8	8	4	9	1.5	32.5	2920	4430	3250	6500
M20X1.5	22	8	8	4	9	1.5	32.5	2920	4430	3250	5000
M20X1.5	22	8	8	4	9	1.5	32.5	4270	7300	3250	2500
M20X1.5	22	8	8	4	9	1.5	32.5	4270	7300	3250	2000
M24X1.5	25	12	8	4	11	1.5	35	3170	4910	4550	5500
M24X1.5	25	12	8	4	11	1.5	35	3170	4910	4550	4000
M24X1.5	25	12	8	4	11	1.5	35	5330	9760	4550	2000
M24X1.5	25	12	8	4	11	1.5	35	5330	9760	4550	1700
M24X1.5	25	12	8	4	11	1.5	35	3170	4910	4550	5500
M24X1.5	25	12	8	4	11	1.5	35	3170	4910	4550	4000
M24X1.5	25	12	8	4	11	1.5	35	5330	9760	4550	2000
M24X1.5	25	12	8	4	11	1.5	35	5330	9760	4550	1700

螺柄滾輪型

Stud type track rollers

六角孔_珠巢型

With hexagonal socket-cage type

六角孔_滿針型

With hexagonal socket-full complement

CF...BR
(KRB...)CF...BUUR
(KRB...PP)

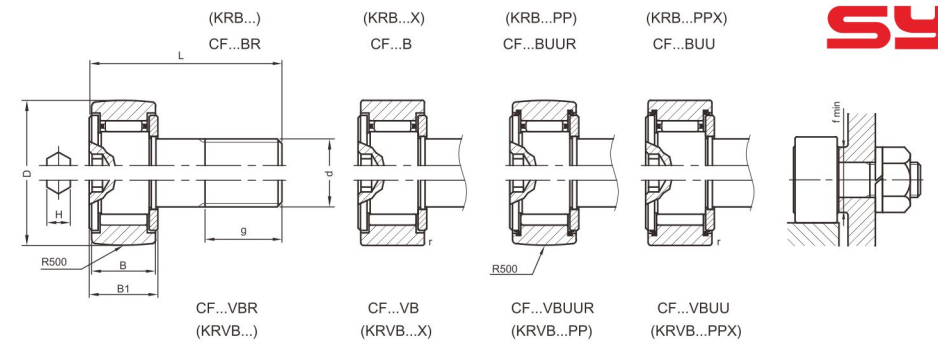
CF...BR CF...VBR
 CF...B CF...VB
 CF...BUUR CF...VBUUR
 CF...BUU CF...VBUU

mm			軸承型號 Series				單位重 Weight		
D	d	B	球面外輪 Crowned outer ring R 500	圓筒外輪 Cylindrical outer ring		g	B1	L	
80	30	35	CF 30BR	KRB80	CF 30B	KRB80X	1870	37	100
	30	35	CF 30BUUR	KRB80PP	CF 30BUU	KRB80PPX	1870	37	100
	30	35	CF 30VBR	KRVB80	CF 30VB	KRVB80X	1870	37	100
	30	35	CF 30VBUUR	KRVB80PP	CF 30VBUU	KRVB80PPX	1870	37	100
85	30	35	CF 30-1BR	KRB85	CF 30-1B	KRB85X	2030	37	100
	30	35	CF 30-1BUUR	KRB85PP	CF 30-1BUU	KRB85PPX	2030	37	100
	30	35	CF 30-1VBR	KRVB85	CF 30-1VB	KRVB85X	2030	37	100
	30	35	CF 30-1VBUUR	KRVB85PP	CF 30-1VBUU	KRVB85PPX	2030	37	100
90	30	35	CF 30-2BR	KRB90	CF 30-2B	KRB90X	2220	37	100
	30	35	CF 30-2BUUR	KRB90PP	CF 30-2BUU	KRB90PPX	2220	37	100
	30	35	CF 30-2VBR	KRVB90	CF 30-2VB	KRVB90X	2220	37	100
	30	35	CF 30-2VBUUR	KRVB90PP	CF 30-2VBUU	KRVB90PPX	2220	37	100

(1)當使用機油潤滑時,極限回轉速為表列數值的130%.

With oil lubrication, 130% of the values given in the tables are permissible.

(2)Also with slotted socket type available and be produced by order.



尺寸 Dimensions mm								基本額定負荷 Basic load ratings		最大工作 荷重 working load Max.	極限回轉速 Limited Speed
d	g	H	d1	d2	J	r	f	動 Dynamic C kgf	靜 Static Co kgf	kgf	油脂潤滑 Grease rpm(1)
M30X1.5	32	19	8	4	15	2	42.5	4660	8220	7500	4000
M30X1.5	32	19	8	4	15	2	42.5	4660	8220	7500	3000
M30X1.5	32	19	8	4	15	2	42.5	7210	14600	7500	1500
M30X1.5	32	19	8	4	15	2	42.5	7210	14600	7500	1200
M30X1.5	32	19	8	4	15	2	42.5	4660	8220	7500	4000
M30X1.5	32	19	8	4	15	2	42.5	4660	8220	7500	3000
M30X1.5	32	19	8	4	15	2	42.5	7210	14600	7500	1500
M30X1.5	32	19	8	4	15	2	42.5	7210	14600	7500	1200
M30X1.5	32	19	8	4	15	2	42.5	4660	8220	8220	4000
M30X1.5	32	19	8	4	15	2	42.5	4660	8220	8220	3000
M30X1.5	32	19	8	4	15	2	42.5	7210	14600	14600	1500
M30X1.5	32	19	8	4	15	2	42.5	7210	14600	14600	1200