

Induction Heater IH 240

Very large heater for bearings up to 1200 kg

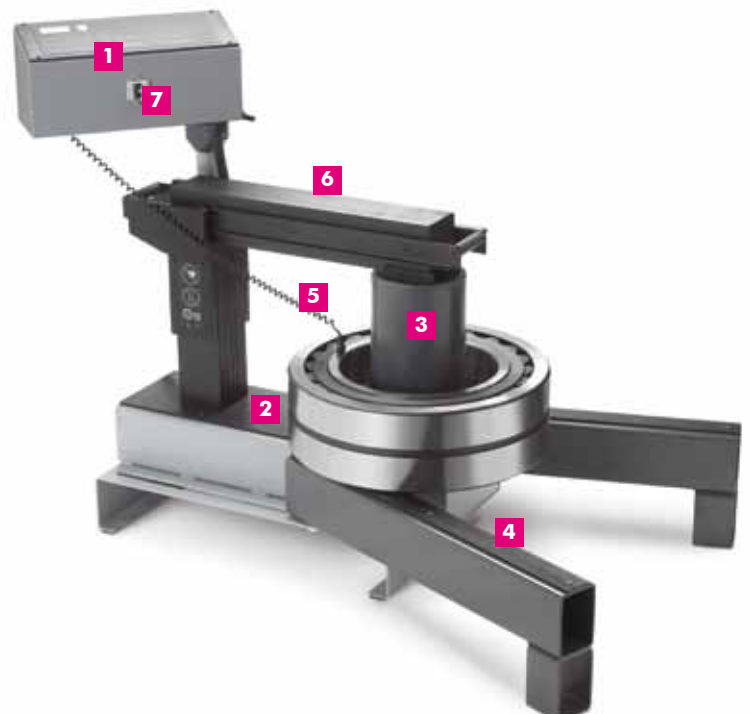


The large simatherm induction heater for roller bearings and other circular metal workpieces up to 850 mm bore diameter and a cross section of 330 x 355 mm. With the integrated time and temperature controls, roller bearings can be heated to the prescribed 110°C while other circular metal workpieces can be heated to 400°C.

- Sliding yoke allows easy loading and unloading
- Can be transported with a forklift or hand lift
- Telescoping support arms for very large workpieces
- Other power versions are available upon request

Description of IH 240

- 1** Clear control panel with LED-display
- 2** Heating surface
- 3** Induction coil outside of the housing shortens the heating time and reduces the energy usage
- 4** Telescoping support arms
- 5** Magnetic temperature probe for monitoring the bearing temperature and for preventing overheating
- 6** Sliding yoke
- 7** Main switch

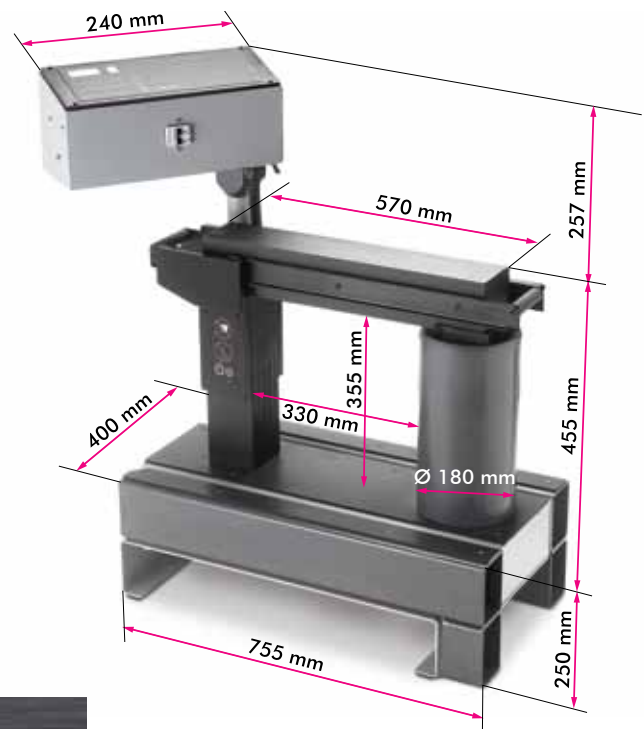


Technical Data IH 240

| | |
|---|--|
| Designation | Heater for large to very large workpieces |
| Voltage V / Hz / power | 400 V / 50 Hz / 24 kVA 460 V / 60 Hz / 24 kVA 575 V / 60 Hz / 24 kVA |
| Workpiece | |
| - Maximum weight | 1200 kg |
| - Bore diameter | 142 – 850 mm |
| Temperature control | |
| - Range | 0 – 250°C |
| - Magnetic probe | yes, type J |
| - Accuracy (electronic) | ± 3°C |
| Time control | |
| - Range | 0 – 60 minutes |
| - Accuracy | ± 0.01 seconds |
| Maximum temperature (approx.) | 400°C |
| Thermometer mode | yes |
| Bearing temperature mode | yes |
| Power reduction | yes / 50% |
| Automatic demagnetization / residual magnetism | yes / < 2A/cm |
| Suitable for heating sealed bearings | yes |
| Suitable for heating pre-greased bearings | yes |
| Error guide codes | yes |
| Thermal overload protection | yes |
| Maximum magnetic flux | 1.5 T |
| Control panel | keyboard with LED-display |
| Size of the operating area (WxH) | 330 x 355 mm |
| Coil diameter | 186 mm |
| Measurements (LxWxH) | 750 x 400 x 935 mm |
| Overall weight including yokes | 300 kg |
| Number of standard yokes | 1 |
| Standard yokes | 100 x 100 x 570 mm for bearings with a bore diameter of at least 142 mm |
| Core cross section | 100 x 100 mm |
| Sliding yoke | yes |
| Cooling fan | optional |
| Housing material | aluminum |

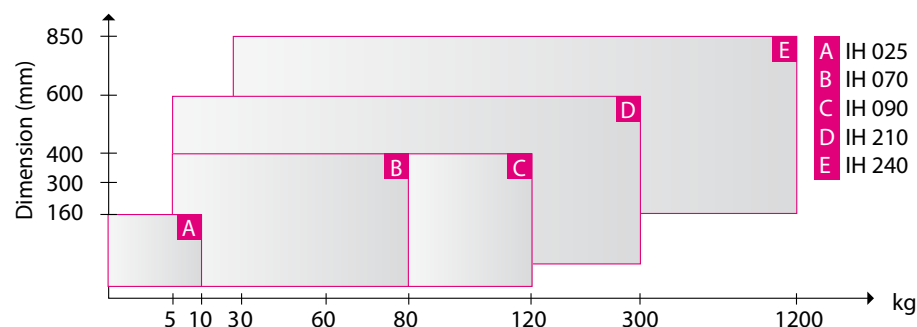
Features and Dimensions IH 240

- Can heat bearings weighing 445 kg in 20 minutes from 20°C to 110°C, saving time and energy
- Two different power consumption levels allow smaller bearings to be heated quickly and efficiently with less energy
- A pre-selected temperature of 110°C protects bearings from overheating
- Automatic demagnetization
- Delivered upon request with the Bearing Handling Tool for professional and secure lifting of large bearings
- 3 year manufacturer warranty



The right heater for your needs

When choosing the simatherm heater to suit your needs, everything essentially depends on the dimensions and weight of the workpieces. The graphic serves as a selection guide.



simatec ag

Stadthof 2
CH-3380 Wangen a. Aare

Tel.: +41 (0)32 636 50 00
Fax: +41 (0)32 636 50 19
welcome@simatec.com
www.simatec.com

simatec
smart technologies