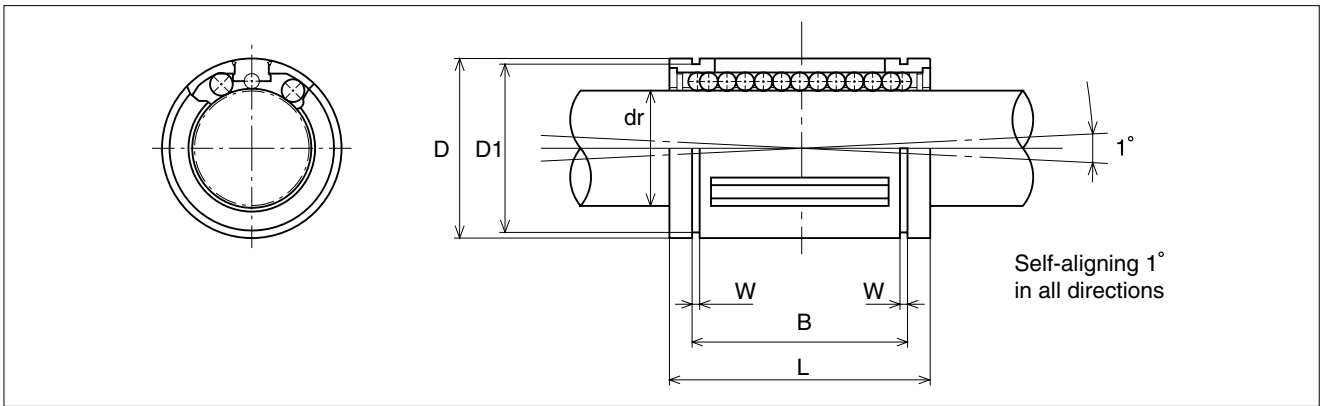
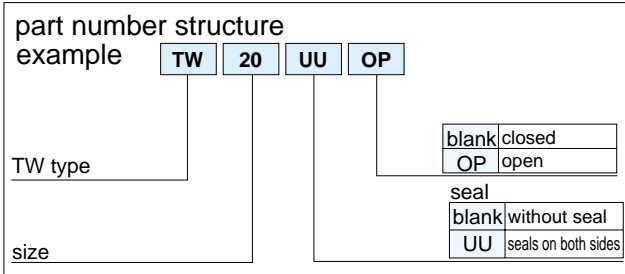
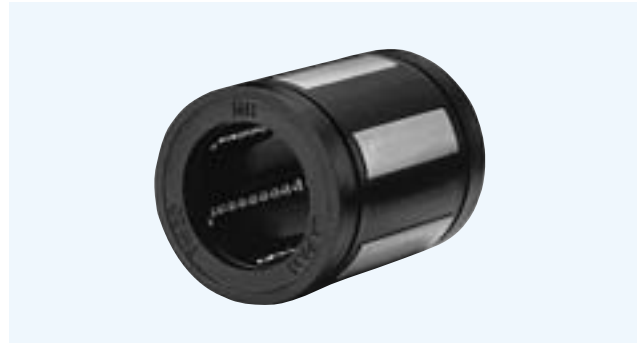


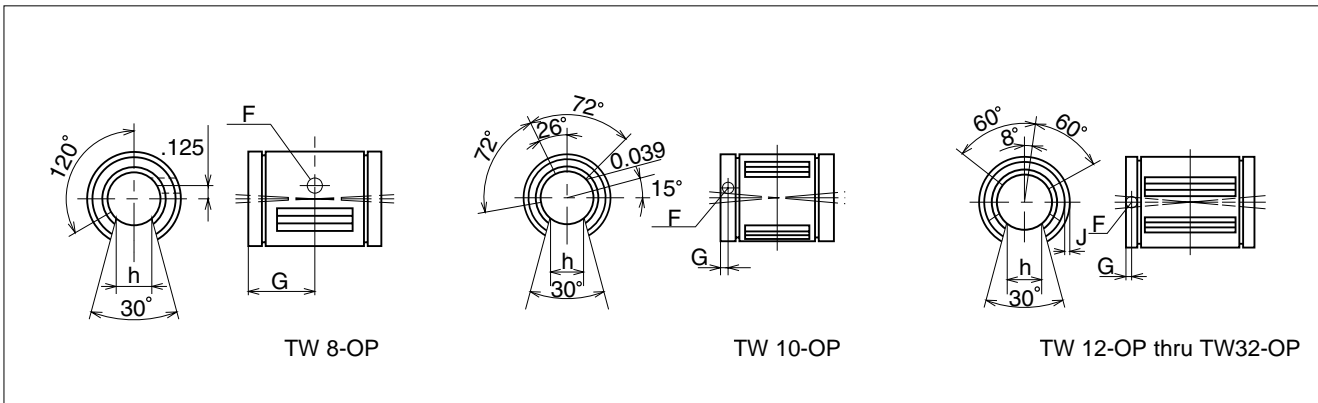
TW TYPE

– TOPBALL Inch Type –



part number						major dimensions				
TW	closed type		open type			dr	tolerance*	D	L	
	no.of ball circuits	mass lbs	no.of ball circuits	mass lbs	tolerance					
						inch	inch	inch	inch	inch
TW 3	4	.004	–	–	–	.1875	0 –.0005	.3750	.562	±.008
TW 4	4	.009	–	–	–	.2500		.5000	.750	0
TW 6	4	.014	–	–	–	.3750		.6250	.875	–.015
TW 8	4	.043	TW 8-OP	3	.033	.5000		.8750	1.250	0 –.020
TW 10	5	.103	TW 10-OP	4	.083	.6250		1.1250	1.500	
TW 12	6	.123	TW 12-OP	5	.102	.7500	1.2500	1.625		
TW 16	6	.265	TW 16-OP	5	.220	1.0000	1.5625	2.250		
TW 20	6	.485	TW 20-OP	5	.419	1.2500	0	2.0000	2.625	0/–.025
TW 24	6	.750	TW 24-OP	5	.639	1.5000	–.0006	2.3750	3.000	0/–.030
TW 32	6	1.411	TW 32-OP	5	1.168	2.0000	0/–.0008	3.0000	4.000	0/–.040

* Based on nominal housing bore.



B	tolerance	W	D ₁	open type				basic load rating		nominal shaft diameter
				h	F	G	J	dynamic C	static Co	
inch	inch	inch	inch	inch	inch	inch	inch	lbs	lbs	inch
—	—	—	—	—	—	—	—	35	47	3/16
.515	0	.0390	.4687	—	—	—	—	60	80	1/4
.703	-.015	.0390	.5880	—	—	—	—	95	120	3/8
1.032	0 -.020	.0459	.8209	.313	.136	.6250	through	230	290	1/2
1.112		.0559	1.0590	.375	.105	.1250	.0390	400	500	5/8
1.272		.0559	1.1760	.438	.136	.1250	.0590	470	590	3/4
1.886		.0679	1.4687	.563	.136	.1250	.0470	850	1,060	1
2.011	0/-.025	.0679	1.8859	.625	.201	.1875	.0900	1,230	1,530	1-1/4
2.422	0/-.030	.0859	2.2389	.750	.201	.1875	.0900	1,480	1,850	1-1/2
3.206	0/-.040	.1029	2.8379	1.000	.265	.3125	through	2,430	3,040	2

1 inch = 25.4 mm
 1 lbs ≅ 0.454 kg
 1 lbs ≅ 4.448 N