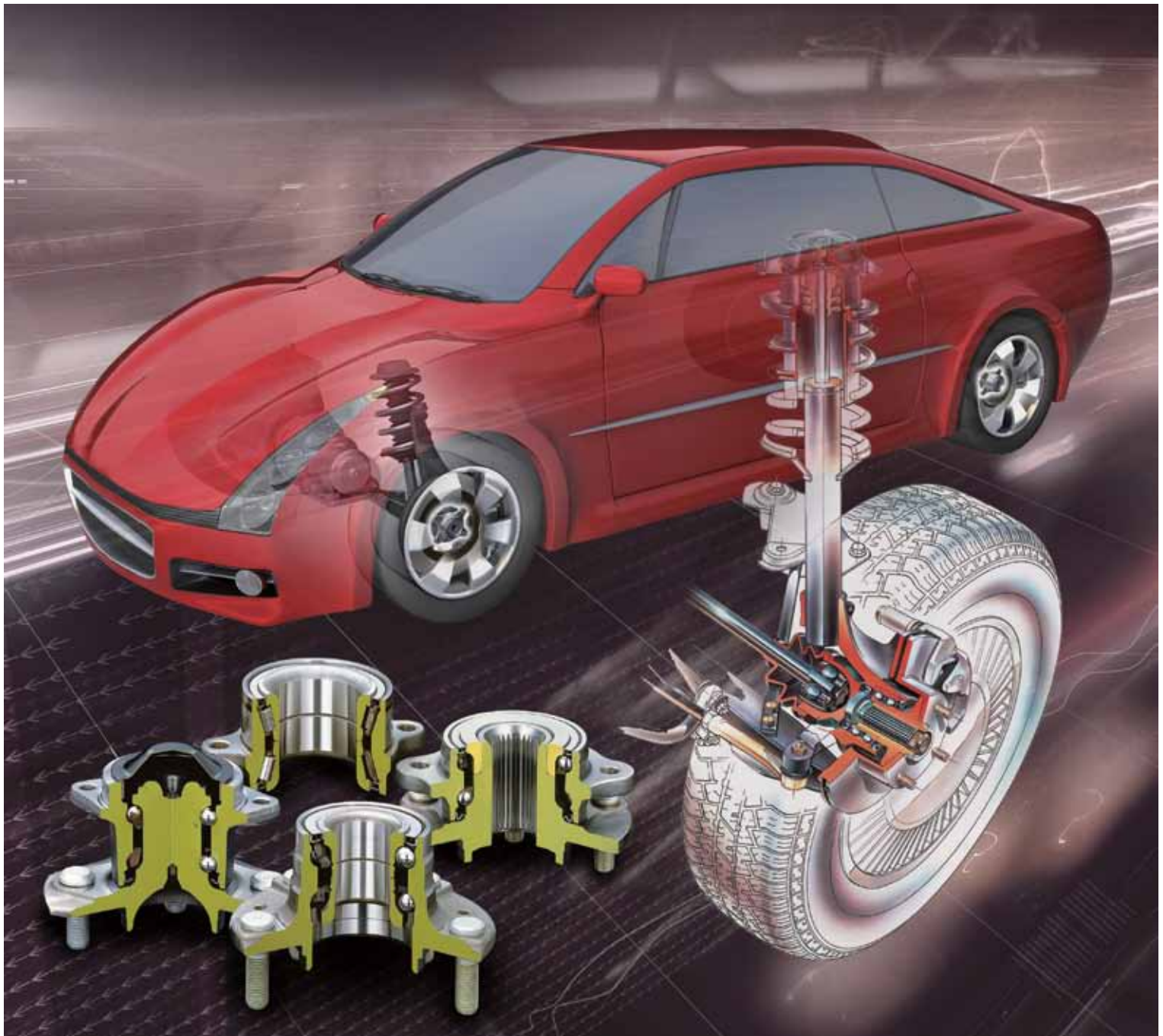


Wheel Bearings

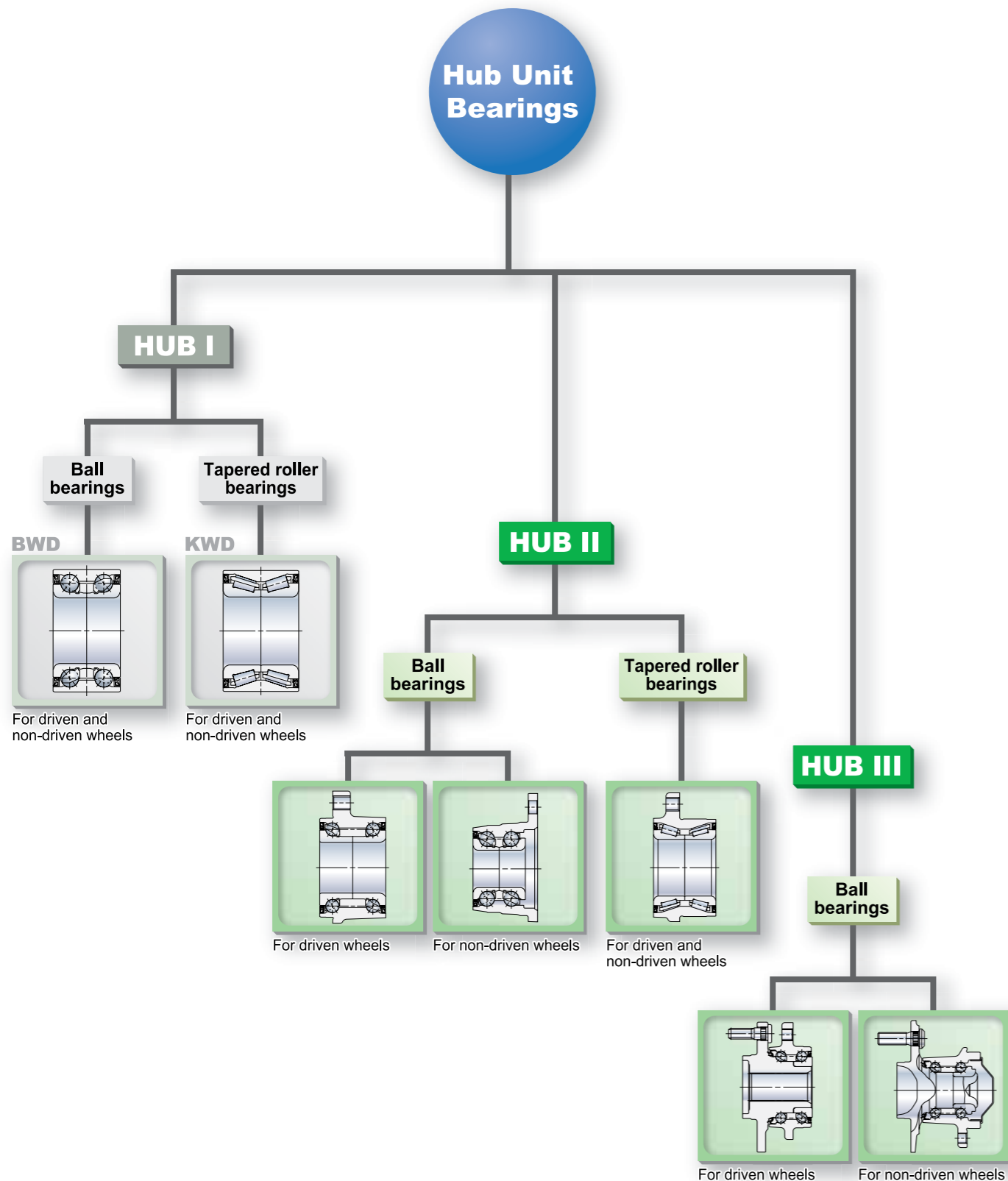
HubII & HubIII

for Automotive Aftermarket



Types of Hub Unit Bearings

Hub unit bearings for automobile wheels are comprised of bearing rings, rolling elements, and cages, similar to general-purpose rolling bearings.



HUB II

NSK uses bearing reference for hub unit bearings clarifying boundary dimensions, types, and specification codes. Below are examples of bearing reference:

Example: **ZA - 27 BWK 04 D2a y2**

Material code
Special code
Serial No.
Bore diameter 27 mm
HUB II (Ball bearings)

Example: **ZA - 54 KWH 01 y2**

Material code
Serial No.
Bore diameter 54 mm
HUB II (Tapered roller bearings)



HUB III

NSK uses bearing reference for hub unit bearings clarifying boundary dimensions, types, and specification codes. Below are examples of bearing reference:

Example: **ZA - 52 BWKH 02 y5**

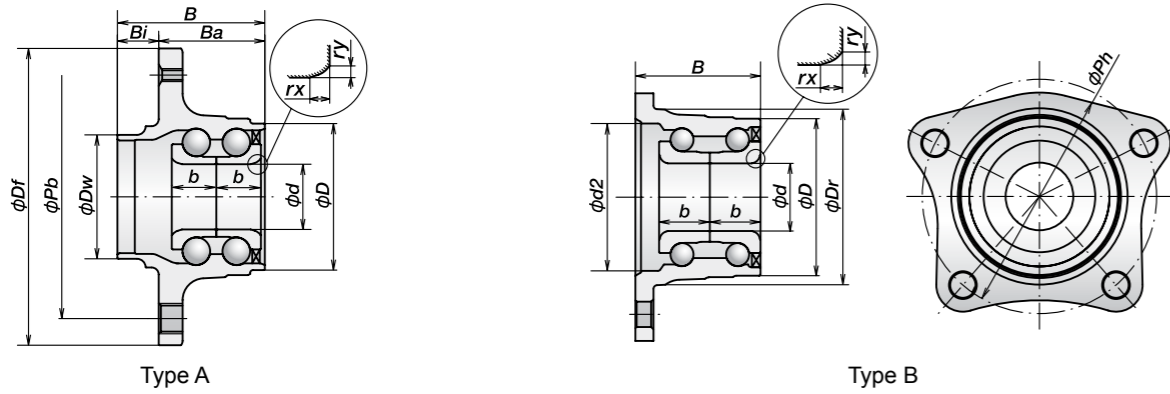
Material code
Serial No.
Ball pitch diameter 52 mm
HUB III (Ball bearings)

Example: **ZA - 68 BWKH S 01 y5**

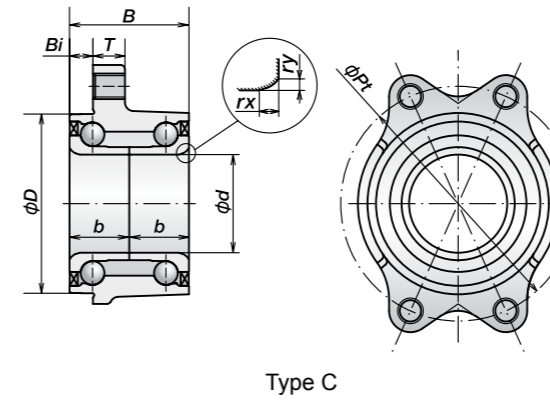
Material code
Serial No.
Sensor integral
Ball pitch diameter 68 mm
HUB III (Ball bearings)



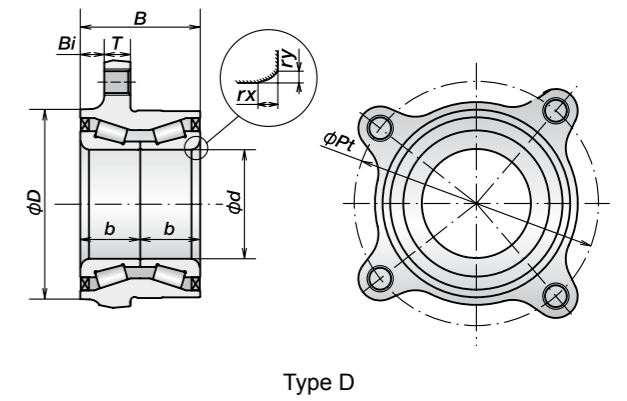
BWK Type For non-driven Wheels



BWK Type For driven Wheels



BWK Type For driven/non-driven Wheels



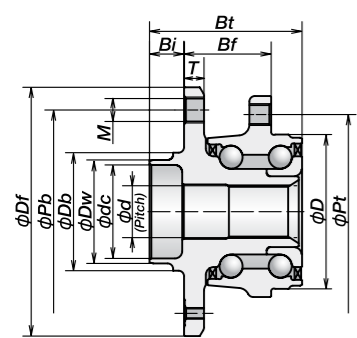
BEARING TYPE	NSK No.	ORIGINAL No.-1	ORIGINAL No.-2	Drawing Type	MAKER	TYPE / MODEL	POSITION *1) *2)
BWK	ZA-30BWK21D-Y-A-01 E ZA-30BWK26-Y-A2-01 E	1K0 501 611 G 1K0 501 611 S	1K0 598 611 (KIT, SKF)	A	VOLKS WAGEN	PQ35/PQ36 (FF) AUDI : A3 , TT SEAT : ALTEA , ALTEA XL , LEON , TOLEDO SKODA : OCTAVIA , SUPERB , YETI VW : CADDY VAN , GOLF , GOLF PLUS , SCIROCCO , TOURAN MQB1 (FF, Car name is unknown.)	R
BWK	ZA-28BWK12-Y-CP4*01 (Without NUT)	42409-12020 (Without NUT) 42409-19015 (With NUT)	42421-19015 42421-19025	B	TOYOTA	COROLLA/SPRINTER (AE91, AE92 (Less ABS), CE90, EE90, AE100, 101, 110, 111, CE100, 110, 113, EE101, 111), LEVIN / TRUENO (AE9# (Less ABS), LEVIN / CERES / TRUENO / MARIO (AE10#), SPRINTER CARIB (AE111)	R
BWK	ZA-30BWK10-G-3-Y--01	42409-20020	42409-20010	B	TOYOTA	CARINA FF (AT19#, CT190, ST190 : 2WD (FF), Less ABS, Drum Brake) CORONA (AT190, CT190, ST190, ST191 : 2WD(FF), Less ABS, Drum Brake, EX-Saloon, GX, Select-Saloon, TYPE1) CALDINA (CT190, ST190, 191 : 2WD (FF), Less ABS, Drum Brake)	R
BWK	ZA-30BWK17A-Y-2CP-01	42409-33010 42409-33030	42409-33020	B	TOYOTA	WINDOM (VCV1#), SEPTER Sedan (SXV10, VCV10)	R
BWK	ZA-38BWK01J-Y-2CA-01	42409-42010	-	C	TOYOTA	IPSUM (SXM15), NADIA (ACN15, SXN15), GAIA (ACM15, SXM15), RAV4 (SXA10, 11)	R
BWK	ZA-43BWK03D-Y-2CA-01	44200-SM4-013	-	C	HONDA	91M Accord	F
BWK	ZA-43BWK04-Y-2CA2-01	44200-SL5-003	-	C	HONDA	91M Accord For the United States	F
BWK	ZA-62BWK01J-Y-2-01 E ZA-62BWK01N-Y-2-01 E	8K0 407 625 A 8K0 407 625 E 8K0 407 625 G	-	C	Audi	A4 (AU481, MLB), A4 Allroad (AU486, MLB), A5 (AU484, MLB), A5 Cabrio (AU485, MLB), A5 Sportback (AU483, MLB), A8 (AU641, MLB), Q5 (AU416, MLB)	F
KWH	ZA-/HO/50KWH01M-Y-01	3885A013	-	D	NISSAN	PAJERO (CK), PAJERO (BK : Short Body + 16 inch Brake)	F
KWH	ZA-/HO/50KWH02-Y--01 (old) ZA-/HO/50KWH02A-Y-01	43210-WL000	-	D	NISSAN	ELGRAND (E51)	R
KWH	ZA-/HO/51KWH01N-Y-01	40210-VW610	-	D	NISSAN	Caravan / Urvan (E25, -2011/10)	F
KWH	ZA-/HO/51KWH01M-JB01 (old) ZA-/HO/51KWH01R-Y-01	40210-WL000 40210-WL020	-	D	NISSAN	ELGRAND (E51)	F
KWH	ZA-/HO/52KWH01-Y--01	3885A014	-	D	NISSAN	PAJERO (BK, Long body, 17 inch brake)	F
KWH	ZA-54KWH01B-Y-2-JB01 (old) ZA-54KWH01J-Y-2CA-01 (old) ZA-54KWH01M-Y-2CA-01 ZA-54KWH01R-Y-2CA-01	43570-60020 43570-60021 43570-04011(USA)	43570-60010 43570-60011	D	TOYOTA	FJ CRUISER (GSJ15W), HILUX SURF (KDN215, RZN210, 215, TRN210, 215, VZN210, 215, GRN215), LANDCRUISER PRADO (RZJ120, 125, TRJ120, 121, 150, KDJ120, 121, 125, GRJ120, 121, 150, 151, VZJ120, 121, 125), LEXUS GX (2002-2009), US TACOMA (Model year is unknown.)	F
KWH	ZA-54KWH02D-Y-2CA-01	43560-26010	-	D	TOYOTA	HIACE/REGIUSACE (KDH20#, 211, 22#, TRH200, 21#, 221, 223, 224, 226, 228), SUPER GRANDIA (KDH201V/K, KDH206V/K), QUANTUM (Mdel year is unknown.)	F

*1) F : Front Wheel *2) R : Rear Wheel

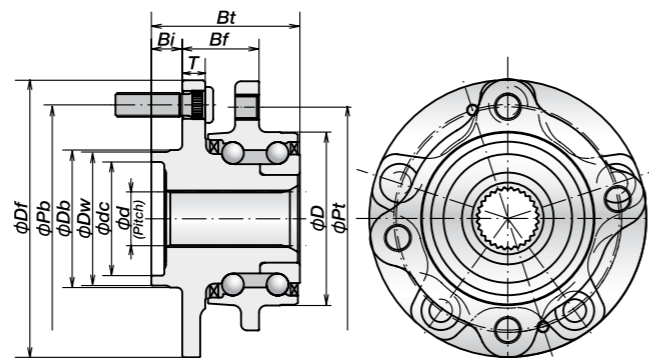
BOUNDARY DIMENSIONS (mm)																	N2 *3)	SEAL INTEGRAL TYPE	ABS SENSOR	MASS (kg) (approx)
d	D	B	b	rx (min)	ry (min)	Dr	d2	Ph	T	Bi	Pt	Ba	Df	Dw	Pb					
30	(67.4)	67.8	20.5	4	2.5	-	-	-	-	19	-	48.8	136.5	57	112	5	Yes	encoder	1.09	
28	65	51.8	21	3.6	3.6	(73)	61	97	-	-	-	-	-	-	-	4	Yes	-	1.05	
30	66	51.8	21	3.6	3.6	75	63	99	-	-	-	-	-	-	-	4	Yes	-	1.02	
30	66	51.8	21	3.6	3.6	75	63	99	-	-	-	-	-	-	-	4	Yes	-	1.20	
38	87.4	58	18	3.5	3.5	-	-	-	10	3.2	106	-	-	-	-	4	Yes	-	1.35	
43	83	42.5	22	5	3.5	-	-	-	14	16.5	102	-	-	-	-	4	Yes	-	1.22	
43	83	47.5	24.5	5	3.5	-	-	-	14	21.5	102	-	-	-	-	4	Yes	-	1.35	
61	102	40.5	15 +25.5	4	3.2	-	-	-	11.5	16.5	126	-	-	-	-	4	Yes	encoder	1.47	
50	86	55	27.5	5.5	5.5	-	-	-	12	32	112	-	-	-	-	4	Yes	-	1.50	
50	84	55	27.5	3.5	3.5	-	-	-	15	11	107	-	-	-	-	4	Yes	-	1.50	
51	87	55	27.5	5	5	-	-	-	15.5	19.5	112	-	-	-	-	4	Yes	-	1.73	
51	89	55	27.5	5	5	-	-	-	15.5	19.5	112	-	-	-	-	4	Yes	encoder	1.73	
52	91	53	26.5	6	6	-	-	-	12	27	121	-	-	-	-	4	Yes	-	1.80	
54	96	50.9	25.5	3.5	3.5	-	-	-	14	16.1	132	-	-	-	-	4	Yes	encoder	2.00	
54	90	59	29.5	3.5	3.5	-	-	-	15	25.3	120	-	-	-	-	4	Yes	-	2.00	

*3) N2 : No. of outer ring flange holes

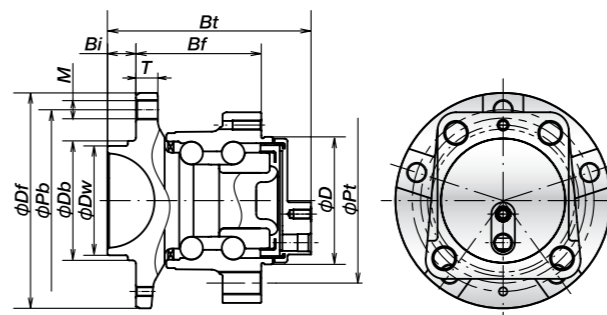
BWKH type for driven/non-driven Wheels



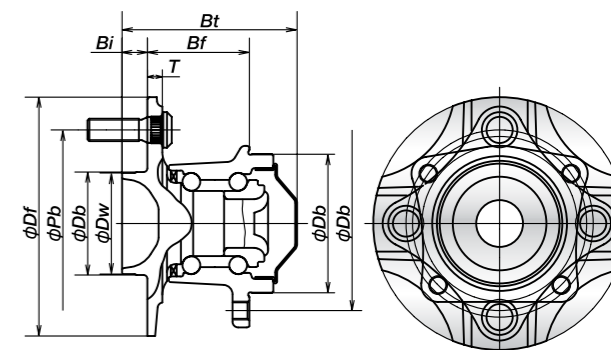
Type A



Type B



Type C



Type D

BEARING TYPE	NSK No.	ORIGINAL No.-1	ORIGINAL No.-2	Drawing Type	MAKER	TYPE / MODEL	POSITION *1) *2)
BWKH	ZA-62BWKH01E-Y-01 E	6 776 671	—	A	BMW	MINI (R50 (M14*1.25), R56, R57)	F
BWKH	ZA-57BWKH04E2-Y-01 E	5Q0 407 621 B	—	A	VOLKSWAGEN	MQB1 (Car name is unknown.)	F
BWKH	ZA-60BWKH15A-Y-01 E	5Q0 407 621 A	—	A	VOLKSWAGEN	MQB2 (Car name is unknown.)	F
BWKH	ZA-60BWKH07R3-Y-01 E	1KO 407 621C [EU] 1KO 407 621G [US] 1KO 407 621 [CHINA]	—	A	VOLKSWAGEN	PQ35/PQ36 (4WD) AUDI : A3, TT SEAT : ALTEA, ALTEA XL, LEON, TOLEDO SKODA : OCTAVIA, SUPERB, YETI VW : CADDY VAN, GOLF, GOLF PLUS, SCIROCCO	R
BWKH	ZA-57BWKH04D1-Y-01 E	1KO 407 621E	—	A	VOLKSWAGEN	PQ35/PQ36 (FF) (For All until 1,9 l Diesel and < 77kw) AUDI : A3, TT SEAT : ALTEA, ALTEA XL, LEON, TOLEDO SKODA : OCTAVIA, SUPERB, YETI VW : CADDY VAN, GOLF, GOLF PLUS, SCIROCCO	F
BWKH	ZA-60BWKH07R3-Y-01 E	1KO 407 621C [EU] 1KO 407 621G [US] 1KO 407 621 [CHINA]	—	A	VOLKSWAGEN	PQ35/PQ36 (For All > 77kw) AUDI : A3 , TT SEAT : ALTEA, ALTEA XL, LEON, TOLEDO SKODA : OCTAVIA, SUPERB, YETI VW : CADDY VAN, GOLF, GOLF PLUS, SCIROCCO	F
BWKH	ZA-60BWKH06L-Y-01 F	02042L2235	—	B	GM	SATURN VUE (Less ABS) (Model year is unknown.) CHEVY EQUINOX (Less ABS) (Model year is unknown.)	R
BWKH	ZA-68BWKH02D-Y-01 F	02042K2078	—	B	GM	SATURN VUE (Less ABS) (Model year is unknown.) CHEVY EQUINOX (Less ABS) (Model year is unknown.)	F
BWKH	ZA-56BWKH06J-Y-01 E	1401393280 1440088280	—	C	PSA	JUMPY (G9, DISK BRAKE) EXPERT (G9, DISK BRAKE)	R
BWKH	ZA-56BWKH05D-Y-01 E	1400199280 1401393480	—	C	PSA	JUMPY (G9, DRUM BRAKE) EXPERT (G9, DRUM BRAKE)	R
BWKH	ZA-49BWKH22B-Y-01 E	6 756 830	—	C	BMW	MINI (R50, M12*1.5)	R
BWKHS	ZA-60BWKHS01L-Y-01 F	02042L2234	—	B	GM	SATURN VUE (With ABS) (Model year is unknown.) CHEVY EQUINOX (With ABS) (Model year is unknown.)	R
BWKHS	ZA-68BWKHS01E-Y-01 F	0204292072 02042K2077	—	B	GM	SATURN VUE (With ABS) (Model year is unknown.) CHEVY EQUINOX (With ABS) (Model year is unknown.)	F

*1) F : Front Wheel *2) R : Rear Wheel

BOUNDARY DIMENSIONS (mm)														N1 *3)	N2 *4)	SEAL INTEGRAL TYPE	ABS SENSOR	MASS (kg) (approx)
d	dc	Dw	Db	Pb	M	Df	D	Pt	T	Bi	Bf	Bt						
26	50	56	64	100	4-M14*1.25	137.5	81	102	11.4	19	44	70	—	4	yes	Encoder	—	
28.575	51.5	57	65	112	5-M14*1.5	136.5	80	102	11	19	48	84	—	3	yes	Encoder	—	
28.575	51.5	57	65	112	5-M14*1.5	136.5	81.5	107	12.6	19	48	84	—	3	yes	Encoder	—	
28.575	51.5	57	65	112	5-M14*1.5	136.5	81.5	107	11	19	48	84	—	4	yes	Encoder	—	
28.575	51.5	57	65	112	5-M14*1.5	136.5	80	102	11	19	48	84	—	3	yes	Encoder	—	
28.575	51.5	57	65	112	5-M14*1.5	136.5	81.5	107	11	19	48	84	—	4	yes	Encoder	—	
25.4	—	70.1	70.6	115	—	150	79	(100.6)	10	20	65	102.6	5	4	yes	Non	—	
34.29	—	70.1	70.6	115	—	150	91.25	116	10	20	42.06	96.01	5	3	yes	Non	—	
—	—	65	71	108	5-M12*1.25	128	75.77	98	13	17	107	153.6	—	4	Yes	Encoder	—	
—	—	65	71	108	5-M12*1.25	128	75.77	98	13	17	104.7	151.3	—	4	Yes	Encoder	—	
—	—	56	64	100	4-M12*1.5	137.5	74	93	11.8	19	56.5	87.8	—	4	yes	Encoder	—	
25.4	—	70.1	70.6	115	—	150	79	(100.6)	10	20	65	102.6	5	4	yes	Sensor	—	
34.29	—	70.1	70.6	115	—	150	91.25	116	10	20	42.06	96.01	5	3	no	Sensor	—	

*3) N1 : No. of flanged inner ring hub bolts *4) N2 : No. of outer ring flange tapped holes

CROSS REFERENCE

MAKER	MODEL	TYPE (Information)	Year	POSITION	NSK No.	REFERENCE PAGE
AUDI	A3	PQ35/PQ36 (FF, For All until 1,9 l Diesel-Engine and < 77kw)	2003/03-2013/12	Front Wheel	ZA-57BWKH04D1-Y-01 E	6
AUDI	A3	PQ35/PQ36 (For All > 77kw)	2003/03-2013/12	Front Wheel	ZA-60BWKH07R3-Y-01 E	6
AUDI	A3	PQ35/PQ36 (FF)	2003/03-2013/12	Rear Wheel	ZA-30BWK26-Y-A2-01 E	4
AUDI	A3	PQ35/PQ36 (4WD)	2003/03-2013/12	Rear Wheel	ZA-60BWKH07R3-Y-01 E	6
AUDI	A4	MLB	2007/10-	Front Wheel	ZA-62BWK01W-Y-B-01 E	4
AUDI	A4 Allroad	MLB	2009/03-	Front Wheel	ZA-62BWK01W-Y-B-01 E	4
AUDI	A5	MLB	2007/01-	Front Wheel	ZA-62BWK01W-Y-B-01 E	4
AUDI	A5 Cabrio	MLB	2008/11-	Front Wheel	ZA-62BWK01W-Y-B-01 E	4
AUDI	A5 Sportback	MLB	2009/07-	Front Wheel	ZA-62BWK01W-Y-B-01 E	4
AUDI	A8	MLB	2010/01-	Front Wheel	ZA-62BWK01W-Y-B-01 E	4
AUDI	Q5	MLB	2008/09-	Front Wheel	ZA-62BWK01W-Y-B-01 E	4
AUDI	TT	PQ35/PQ36 (FF, For All until 1,9 l Diesel-Engine and < 77kw)	2006/06-	Front Wheel	ZA-57BWKH04D1-Y-01 E	6
AUDI	TT	PQ35/PQ36 (For All > 77kw)	2006/06-	Front Wheel	ZA-60BWKH07R3-Y-01 E	6
AUDI	TT	PQ35/PQ36 (FF)	2006/06-	Rear Wheel	ZA-30BWK26-Y-A2-01 E	4
AUDI	TT	PQ35/PQ36 (4WD)	2006/06-	Rear Wheel	ZA-60BWKH07R3-Y-01 E	6
BMW	MINI	R50 (M14*1.25), R56, R57	—	Front Wheel	ZA-62BWKH01E-Y--01 E	6
BMW	MINI	R50 (M12*1.5)	—	Rear Wheel	ZA-49BWKH22B-Y--01 E	6
GM	CHEVY EQUINOX	Unknown (Less ABS)	—	Front Wheel	ZA-68BWKH02D-Y-01 F	6
GM	CHEVY EQUINOX	Unknown (With ABS)	—	Front Wheel	ZA-68BWKHS01E-Y-01 F	6
GM	CHEVY EQUINOX	Unknown (Less ABS)	—	Rear Wheel	ZA-60BWKH06L-Y-01 F	6
GM	CHEVY EQUINOX	Unknown (With ABS)	—	Rear Wheel	ZA-60BWKHS01L-Y-01 F	6
GM	SATURN VUE	Unknown (Less ABS)	—	Front Wheel	ZA-68BWKH02D-Y-01 F	6
GM	SATURN VUE	Unknown (With ABS)	—	Front Wheel	ZA-68BWKHS01E-Y-01 F	6
GM	SATURN VUE	Unknown (Less ABS)	—	Rear Wheel	ZA-60BWKH06L-Y-01 F	6
GM	SATURN VUE	Unknown (With ABS)	—	Rear Wheel	ZA-60BWKHS01L-Y-01 F	6
HONDA	Accord	Unknown (91M)	—	Front Wheel	ZA-43BWK03D-Y-2CA-01	4
HONDA	Accord	Unknown (91M, USA)	—	Front Wheel	ZA-43BWK04-Y-2CA2-01	4
MITSUBISHI	PAJERO	BK (Short Body + 16 inch Brake)	2006/09-	Front Wheel	ZA-/HO/50KWH01M-Y-01	4
MITSUBISHI	PAJERO	BK (Long body, 17 inch brake)	2006/09-	Front Wheel	ZA-/HO/52KWH01-Y--01	4
MITSUBISHI	PAJERO	CK	1999/07-2006/12	Front Wheel	ZA-/HO/50KWH01M-Y-01	4
NISSAN	CARAVAN	E25	2001/04-2011/10	Front Wheel	ZA-/HO/51KWH01N-Y-01	4
NISSAN	ELGRAND	E51	2002/05-2010/08	Front Wheel	ZA-/HO/51KWH01R-Y-01	4
NISSAN	ELGRAND	E51	2002/05-2010/08	Rear Wheel	ZA-/HO/50KWH02A-Y-01	4
NISSAN	URVAN	E25	2001/07-2011/10	Front Wheel	ZA-/HO/51KWH01N-Y-01	4
PSA	EXPERT	G9 (DISK BRAKE)	2006/10-	Rear Wheel	ZA-56BWKH06J-Y--01 E	6
PSA	EXPERT	G9 (DRUM BRAKE)	2006/10-	Rear Wheel	ZA-56BWKH05D-Y--01 E	6
PSA	JUMPY	G9 (DISK BRAKE)	2006/10-	Rear Wheel	ZA-56BWKH06J-Y--01 E	6
PSA	JUMPY	G9 (DRUM BRAKE)	2006/10-	Rear Wheel	ZA-56BWKH05D-Y--01 E	6
SEAT	ALTEA	PQ35/PQ36 (FF, For All until 1,9 l Diesel-Engine and < 77kw)	2004/03-	Front Wheel	ZA-57BWKH04D1-Y-01 E	6
SEAT	ALTEA	PQ35/PQ36 (For All > 77kw)	2004/03-	Front Wheel	ZA-60BWKH07R3-Y-01 E	6
SEAT	ALTEA	PQ35/PQ36 (FF)	2004/03-	Rear Wheel	ZA-30BWK26-Y-A2-01 E	4
SEAT	ALTEA	PQ35/PQ36 (4WD)	2004/03-	Rear Wheel	ZA-60BWKH07R3-Y-01 E	6
SEAT	ALTEA XL	PQ35/PQ36 (FF, For All until 1,9 l Diesel-Engine and < 77kw)	2004/03-	Front Wheel	ZA-57BWKH04D1-Y-01 E	6
SEAT	ALTEA XL	PQ35/PQ36 (For All > 77kw)	2004/03-	Front Wheel	ZA-60BWKH07R3-Y-01 E	6

CROSS REFERENCE

MAKER	MODEL	TYPE (Information)	Year	POSITION	NSK No.	REFERENCE PAGE
SEAT	ALTEA XL	PQ35/PQ36 (FF)	2004/03-	Rear Wheel	ZA-30BWK26-Y-A2-01 E	4
SEAT	ALTEA XL	PQ35/PQ36 (4WD)	2004/03-	Rear Wheel	ZA-60BWKH07R3-Y-01 E	6
SEAT	LEON	PQ35/PQ36 (FF, For All until 1,9 l Diesel-Engine and < 77kw)	2005/05-2012/10	Front Wheel	ZA-57BWKH04D1-Y-01 E	6
SEAT	LEON	PQ35/PQ36 (For All > 77kw)	2005/05-2012/10	Front Wheel	ZA-60BWKH07R3-Y-01 E	6
SEAT	LEON	PQ35/PQ36 (FF)	2005/05-2012/10	Rear Wheel	ZA-30BWK26-Y-A2-01 E	4
SEAT	LEON	PQ35/PQ36 (4WD)	2005/05-2012/10	Rear Wheel	ZA-60BWKH07R3-Y-01 E	6
SEAT	TOLEDO	PQ35/PQ36 (FF, For All until 1,9 l Diesel-Engine and < 77kw)	2004/09-2010/06	Front Wheel	ZA-57BWKH04D1-Y-01 E	6
SEAT	TOLEDO	PQ35/PQ36 (For All > 77kw)	2004/09-2010/06	Front Wheel	ZA-60BWKH07R3-Y-01 E	6
SEAT	TOLEDO	PQ35/PQ36 (FF)	2004/09-2010/06	Rear Wheel	ZA-30BWK26-Y-A2-01 E	4
SEAT	TOLEDO	PQ35/PQ36 (4WD)	2004/09-2010/06	Rear Wheel	ZA-60BWKH07R3-Y-01 E	6
SKODA	OCTAVIA	PQ35/PQ36 (FF, For All until 1,9 l Diesel-Engine and < 77kw)	2004/04-2013/07	Front Wheel	ZA-57BWKH04D1-Y-01 E	6
SKODA	OCTAVIA	PQ35/PQ36 (For All > 77kw)	2004/04-2013/07	Front Wheel	ZA-60BWKH07R3-Y-01 E	6
SKODA	OCTAVIA	PQ35/PQ36 (FF)	2004/04-2013/07	Rear Wheel	ZA-30BWK26-Y-A2-01 E	4
SKODA	OCTAVIA	PQ35/PQ36 (4WD)	2004/04-2013/07	Rear Wheel	ZA-60BWKH07R3-Y-01 E	6
SKODA	SUPERB	PQ35/PQ36 (FF, For All until 1,9 l Diesel-Engine and < 77kw)	2008/04-	Front Wheel	ZA-57BWKH04D1-Y-01 E	6
SKODA	SUPERB	PQ35/PQ36 (For All > 77kw)	2008/04-	Front Wheel	ZA-60BWKH07R3-Y-01 E	6
SKODA	SUPERB	PQ35/PQ36 (FF)	2008/04-	Rear Wheel	ZA-30BWK26-Y-A2-01 E	4
SKODA	SUPERB	PQ35/PQ36 (4WD)	2008/04-	Rear Wheel	ZA-60BWKH07R3-Y-01 E	6
SKODA	YETI	PQ35/PQ36 (FF, For All until 1,9 l Diesel-Engine and < 77kw)	2009/06-	Front Wheel	ZA-57BWKH04D1-Y-01 E	6
SKODA	YETI	PQ35/PQ36 (For All > 77kw)	2009/06-	Front Wheel	ZA-60BWKH07R3-Y-01 E	6
SKODA	YETI	PQ35/PQ36 (FF)	2009/06-	Rear Wheel	ZA-30BWK26-Y-A2-01 E	4
SKODA	YETI	PQ35/PQ36 (4WD)	2009/06-	Rear Wheel	ZA-60BWKH07R3-Y-01 E	6
TOYOTA	CALDINA (JP)	CT190, ST190, 191 (FF, Less ABS, Drum Brake)	1992/11-2002/06	Rear Wheel	ZA-30BWK10-G-3-Y--01	4
TOYOTA	CARINA FF (JP)	AT19#, CT190, ST190 (FF, Less ABS, Drum Brake)	1992/08-1996/08	Rear Wheel	ZA-30BWK10-G-3-Y--01	4
TOYOTA	COROLLA (JP)	AE91, AE92 (Less ABS), CE90, EE90	1987/05-1992/05	Rear Wheel	ZA-28BWK12-Y-CP4*01 (Without NUT)	4
TOYOTA	COROLLA (JP)	AE100, 101, 110, 111, CE100, 110, 113, EE101, 111	1991/06-2002/06	Rear Wheel	ZA-28BWK12-Y-CP4*01 (Without NUT)	4
TOYOTA	COROLLA CERES (JP)	AE10#	1991/06-1998/08	Rear Wheel	ZA-28BWK12-Y-CP4*01 (Without NUT)	4
TOYOTA	COROLLA LEVIN (JP)	AE10#	1991/06-1998/08	Rear Wheel	ZA-28BWK12-Y-CP4*01 (Without NUT)	4
TOYOTA	COROLLA LEVIN (JP)	AE9# (Less ABS)	1987/05-1991/06	Rear Wheel	ZA-28BWK12-Y-CP4*01 (Without NUT)	4
TOYOTA	CORONA (JP)	AT190, CT190, ST190, ST191 (FF, Less ABS, Drum Brake)	1992/02-1996/01	Rear Wheel	ZA-30BWK10-G-3-Y--01	4
TOYOTA	FJ CRUISER (JP)	GSJ15	2010/11-	Front Wheel	ZA-54KWH01M-Y-2CA-01	4
TOYOTA	GAIA (JP)	ACM15, SXM15 (4WD)	1998/05-2004/09	Rear Wheel	ZA-38BWK01J-Y-2CA-01	4
TOYOTA	HIACE (JP)	KDH20#, 211, 22#, TRH200, 21#, 221, 223, 224, 226, 228	2004/08-	Front Wheel	ZA-54KWH02D-Y-2CA-01	4
TOYOTA	HILUX SURF (JP)	KDN215, RZN210, 215, TRN210, 215, VZN210, 215, GRN215	2002/11-2009/08	Front Wheel	ZA-54KWH01M-Y-2CA-01	4
TOYOTA	IPSUM (JP)	SXM15 (4WD)	1996/05-2001/05	Rear Wheel	ZA-38BWK01J-Y-2CA-01	4
TOYOTA	LANDCRUISER PRADO (JP)	RZJ12#, TRJ12#, KDJ120, 121, 125, GRJ12#, VZJ12#	2002/09-2009/08	Front Wheel	ZA-54KWH01M-Y-2CA-01	4
TOYOTA	LANDCRUISER PRADO (JP)	TRJ150, GRJ150, 151	2009/08-	Front Wheel	ZA-54KWH01M-Y-2CA-01	4

Worldwide Sales Offices

P: Phone ☆: Head Office

NSK LTD. HEADQUARTERS, TOKYO JAPAN

INDUSTRIAL MACHINERY BUSINESS DIVISION-HEADQUARTERS P: +81-3-3779-7227
 AUTOMOTIVE BUSINESS DIVISION-HEADQUARTERS P: +81-3-3779-7189

Africa

South Africa:

NSK SOUTH AFRICA (PTY) LTD.

JOHANNESBURG P: +27-11-458-3600

Aisia and Oceania

Australia:

NSK AUSTRALIA PTY. LTD.

MELBOURNE ☆ P: +61-3-9765-4400
 SYDNEY P: +61-2-8843-8100
 BRISBANE P: +61-7-3347-2600
 PERTH P: +61-8-9256-5000

New Zealand:

NSK NEW ZEALAND LTD.

AUCKLAND P: +64-9-276-4992

China:

NSK HONG KONG LTD.

HONG KONG ☆ P: +852-2739-9933
 SHENZHEN P: +86-755-25904886

NSK (SHANGHAI) TRADING CO., LTD.

JIANGSU P: +86-512-5796-3000

NSK (CHINA) INVESTMENT CO., LTD.

JIANGSU ☆ P: +86-512-5796-3000
 BEIJING P: +86-10-6590-8161
 TIAN JIN P: +86-22-8319-5030
 CHANGCHUN P: +86-431-8898-8682
 SHENYANG P: +86-24-2334-2868
 DALIAN P: +86-411-8800-8168
 NANJING P: +86-25-8472-6671
 FUZHOU P: +86-591-8380-1030
 WUHAN P: +86-27-8556-9630
 QINGDAO P: +86-532-5568-3877
 GUANGZHOU P: +86-20-3817-7800
 CHANGSHA P: +86-731-8571-3100
 LUOYANG P: +86-379-6069-6188
 XI'AN P: +86-29-8765-1896
 CHONGQING P: +86-23-6806-5310
 CHENGDU P: +86-28-8528-3680

NSK CHINA SALES CO., LTD.

JIANGSU P: +86-512-5796-3000

India:

NSK INDIA SALES CO.PVT.LTD.

CHENNAI ☆ P: +91-44-2847-9600
 GURGAON P: +91-124-4104-530
 MUMBAI P: +91-22-2838-7787

Indonesia:

PT. NSK INDONESIA

JAKARTA P: +62-21-252-3458

Korea:

NSK KOREA CO., LTD.

SEOUL P: +82-2-3287-0300

Malaysia:

NSK BEARINGS (MALAYSIA) SDN.BHD.

SHAH ALAM ☆ P: +60-3-7803-8859
 PRAI P: +60-4-3902275
 JOHOR BAHRU P: +60-7-3546290
 IPOH P: +60-5-2555000

Philippines:

NSK REPRESENTATIVE OFFICE

MANILA P: +63-2-893-9543

Singapore:

NSK INTERNATIONAL (SINGAPORE) PTE LTD.

SINGAPORE P: +65-6496-8000

NSK SINGAPORE (PRIVATE) LTD.

SINGAPORE P: +65-6496-8000

Taiwan:

TAIWAN NSK PRECISION CO., LTD.

TAIPEI ☆ P: +886-2-2509-3305
 TAICHUNG P: +886-4-2311-7978
 TAINAN P: +886-6-505-5861

TAIWAN NSK TECHNOLOGY CO., LTD.

TAIPEI ☆ P: +886-2-2509-3305
 TAICHUNG P: +886-4-2358-2945
 TAINAN P: +886-6-505-5861

Thailand:

NSK BEARINGS (THAILAND) CO., LTD.

BANGKOK P: +66-2320-2555

Vietnam:

NSK VIETNAM CO., LTD.

HANOI P: +84-4-3955-0159

NSK REPRESENTATIVE OFFICE

HO CHI MINH CITY P: +84-8-3822-7907

Europe

United Kingdom:

NSK EUROPE LTD. (EUROPEAN HEADQUARTERS)

MAIDENHEAD P: +44-1628-509-800

NSK UK LTD.

NEWARK P: +44-1636-605-123

France:

NSK FRANCE S.A.S.

PARIS P: +33-1-30-57-39-39

Germany:

NSK DEUTSCHLAND GMBH

DUSSELDORF ☆ P: +49-2102-4810
 STUTTGART P: +49-711-79082-0
 WOLFSBURG P: +49-5361-27647-10

Italy:

NSK ITALIA S.P.A.

MILANO P: +39-299-5191

Netherlands:

NSK EUROPEAN DISTRIBUTION CENTRE B.V.

TILBURG P: +31-13-4647647

Poland:

NSK REPRESENTATIVE OFFICE

WARSAW P: +48-22-645-1525

Russia:

NSK POLSKA SP. Z O.O.

SAINT-PETERSBURG P: +7-812-332-5071

Spain:

NSK SPAIN S.A.

BARCELONA P: +34-93-433-5775

Turkey:

NSK RULMANLARI ORTA DOGU TIC. LTD. STL

ISTANBUL P: +90-216-477-7111

UAE:

NSK BEARINGS GULF TRADING CO.

DUBAI P: +971-4-804-8200

North and South America

United States of America:

NSK AMERICAS, INC. (AMERICAN HEADQUARTERS)

ANN ARBOR P: +1-734-913-7500

NSK CORPORATION

ANN ARBOR P: +1-734-913-7500

NSK PRECISION AMERICA, INC.

FRANKLIN ☆ P: +1-317-738-5000

NSK LATIN AMERICA, INC.

MIAMI P: +1-305-477-0605

Canada:

NSK CANADA INC.

TORONTO ☆ P: +1-905-890-0740

NSK CORPORATION

MONTREAL P: +1-514-633-1220

NSK CORPORATION

VANCOUVER P: +1-877-994-6675

Argentina:

NSK ARGENTINA SRL

BUENOS AIRES P: +54-11-4704-5100

Brazil:

NSK BRASIL LTDA.

SAO PAULO ☆ P: +55-11-3269-4786

NSK CORPORATION

BELO HORIZONTE P: +55-31-3274-2591

NSK CORPORATION

JOINVILLE P: +55-47-3422-5445

NSK CORPORATION

PORTO ALEGRE P: +55-51-3222-1324

NSK CORPORATION

RECIFE P: +55-81-3326-3781

Peru:

NSK PERU S.A.C.

LIMA P: +51-1-652-3372

Mexico:

NSK RODAMIENTOS MEXICANA, S.A. DE C.V.

MEXICO CITY ☆ P: +52-55-3682-2900

NSK CORPORATION

MONTERREY P: +52-81-8000-7300

<As of June 2013>

For the latest information, please refer to the NSK website.

www.nsk.com

NSK Ltd. has a basic policy not to export any products or technology designated as controlled items by export-related laws. When exporting the products in this brochure, the laws of the exporting country must be observed. Specifications are subject to change without notice and without any obligation on the part of the manufacturer. Every care has been taken to ensure the accuracy of the data contained in this brochure, but no liability can be accepted for any loss or damage suffered through errors or omissions. We will gratefully acknowledge any additions or corrections.

For more information about NSK products, please contact: _____

