

## 英制 Inch Size

## 支承柄滾輪型

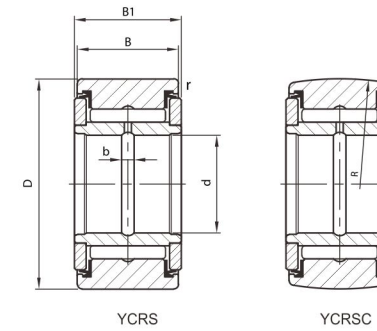
Yoke type track rollers

英制一體式  
Non-separable滿針型  
full complement

YCRS



YCRSC

YCRS  
YCRSC

YCRS

YCRSC

滾輪外徑 Outer ring diameter		軸承型號 Series 1/16 inch 帶密封環 With seals		單位重 Weight	尺寸 Dimensions			
D		圓筒外輪 Cylindrical outer ring	球面外輪 Crowned outer ring R		D(2)		d	
0 -0.001 inch	0 -0.025 mm			g	0 0.001 inch	0 -0.025 mm	+0.0002 -0.0004 inch	+0.005 -0.010 mm
3/4	19.050	YCRS 12	YCRSC 12	27	3/4	19.050	1/4	6.350
7/8	22.225	YCRS 14	YCRSC 14	36	7/8	22.225	1/4	6.350
1	25.400	YCRS 16	YCRSC 16	68	1	25.400	5/16	7.938
1 1/8	28.575	YCRS 18	YCRSC 18	77	1 1/8	28.575	5/16	7.938
1 1/4	31.750	YCRS 20	YCRSC 20	110	1 1/4	31.750	3/8	9.525
1 3/8	34.925	YCRS 22	YCRSC 22	136	1 3/8	34.925	3/8	9.525
1 1/2	38.100	YCRS 24	YCRSC 24	186	1 1/2	38.100	7/16	11.112
1 5/8	41.275	YCRS 26	YCRSC 26	227	1 5/8	41.275	7/16	11.112
1 3/4	44.450	YCRS 28	YCRSC 28	291	1 3/4	44.450	1/2	12.700
1 7/8	47.625	YCRS 30	YCRSC 30	364	1 7/8	47.625	1/2	12.700
2	50.800	YCRS 32	YCRSC 32	477	2	50.800	5/8	15.875

(1-1)當使用機油潤滑時，極限回轉速為表列數值的130%。

With oil lubrication, 130% of the values given in the tables are permissible.

(1-2)帶密封環油脂潤滑的極限為表列數值的60%。

With grease lubrication, 60% of the value given in the tables are permissible for sealed executions.

尺寸 Dimensions						基本額定負荷 Basic load ratings		極限 回轉速 Limited Speed
B		B1		R	b	動 Dynamic C lbf	靜 Static Co lbf	油脂潤滑 Grease rpm(1)
+0 -0.005 inch	+0 -0.13 mm	+0.005 -0.010 inch	+0.13 -0.25 mm	inch mm	inch mm	kgf	kgf	
1/2	12.700	9/16	14.288	10	1/8	2090	3060	7500
				250	3.2	950	1390	
1/2	12.700	9/16	14.288	10	1/8	2090	3060	7500
				250	3.2	950	1390	
5/8	15.875	11/16	17.462	12	1/8	3130	4540	6000
				300	3.2	1420	2060	
5/8	15.875	11/16	17.462	12	1/8	3130	4540	6000
				300	3.2	1420	2060	
3/4	19.050	13/16	20.638	14	3/16	4540	8110	4500
				360	4.8	2060	3680	
3/4	19.050	13/16	20.638	14	3/16	4540	8110	4500
				360	4.8	2060	3680	
7/8	22.225	15/16	23.812	20	3/16	6040	10000	4000
				500	4.8	2740	4540	
7/8	22.225	15/16	23.812	20	3/16	6040	10000	4000
				500	4.8	2740	4540	
1	25.400	1 1/16	26.988	20	3/16	8970	14000	3400
				500	4.8	4070	6350	
1	25.400	1 1/16	26.988	20	3/16	8970	14000	3400
				500	4.8	4070	6350	
1 1/4	31.750	1 5/16	33.338	24	1/4	11400	20100	2600
				600	6.4	5170	9120	

(2)球面外輪的外徑公差為0/-0.002inch (0/-0.050mm)。

(3)內徑公差為 + 0.0001/-0.0005inch (+0.0025/-0.0127mm)

## 支承柄滾輪型

Yoke type track rollers

英制一體式

Non-separable

滿針型

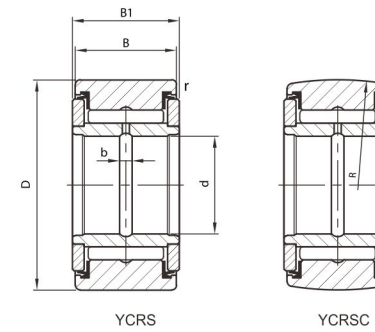
full complement



YCRS



YCRSC

YCRS  
YCRSC

YCRS

YCRSC

滾輪外徑 Outer ring diameter		軸承型號 Series 1/16 inch 帶密封環 With seals		單位重 Weight	尺寸 Dimensions			
D		圓筒外輪 Cylindrical outer ring	球面外輪 Crowned outer ring R		D(2)		d	
0 -0.001 inch	0 -0.025 mm			g	0 0.001 inch	0 -0.025 mm	+0.0002 -0.0004 inch	+0.005 -0.010 mm
2 1/4	57.150	YCRS 36	YCRSC 36	600	2 1/4	57.150	5/8	15.875
2 1/2	63.500	YCRS 40	YCRSC 40	818	2 1/2	63.500	3/4	19.050
2 3/4	69.850	YCRS 44	YCRSC 44	1023	2 3/4	69.850	3/4	19.050
3	76.200	YCRS 48	YCRSC 48	1410	3	76.200	1 (3)	25.400
3 1/4	82.550	YCRS 52	YCRSC 52	1645	3 1/4	82.550	1 (3)	25.400

(1-1)當使用機油潤滑時，極限回轉速為表列數值的130%。

With oil lubrication, 130% of the values given in the tables are permissible.

(1-2)帶密封環油脂潤滑的極限為表列數值的60%。

With grease lubrication, 60% of the value given in the tables are permissible for sealed executions.

尺寸 Dimensions						基本額定負荷 Basic load ratings		極限 回轉速 Limited Speed
B		B1		R	b	動 Dynamic C lbf kgf	靜 Static Co lbf kgf	油脂潤滑 Grease rpm(1)
+0 -0.005 inch	+0 -0.13 mm	+0.005 -0.010 inch	+0.13 -0.25 mm	inch mm	inch mm			
1 1/4	31.750	1 5/16	33.338	24 600	1/4 6.4	11400 5170	20100 9120	2600
1 1/2	38.100	1 9/16	39.688	30 760	1/4 6.4	13500 6120	26200 11900	2400
1 1/2	38.100	1 9/16	39.688	30 760	1/4 6.4	13500 6120	26200 11900	2400
1 3/4	44.450	1 13/16	46.038	30 760	3/8 9.5	18400 8340	43200 19600	2200
1 3/4	44.450	1 13/16	46.038	30 760	3/8 9.5	18400 8340	43200 19600	2200

(2)球面外輪的外徑公差為0/-0.002inch (0/-0.050mm)。

(3)內徑公差為 + 0.0001/-0.0005inch (+0.0025/-0.0127mm)

## 英制 Inch Size

## 支承柄滾輪型

Yoke type track rollers

英制一體式

Non-separable

滿針型

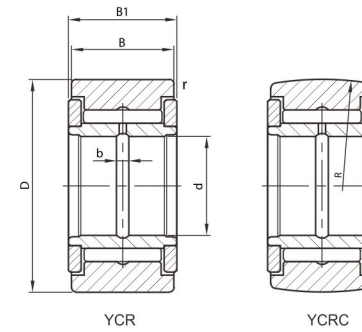
full complement



YCR



YCRC

YCR  
YCRC

YCR

YCRC

滾輪外徑 Outer ring diameter		軸承型號 Series 1/16 inch 無密封環 Without seals		單位重 Weight	尺寸 Dimensions			
D		圓筒外輪 Cylindrical outer ring	球面外輪 Crowned outer ring R		D(2)		d	
0 -0.001 inch	0 -0.025 mm			g	0 0.001 inch	0 -0.025 mm	+0.0002 -0.0004 inch	+0.005 -0.010 mm
3/4	19.050	YCR 12	YCRC 12	27	3/4	19.050	1/4	6.350
7/8	22.225	YCR 14	YCRC 14	36	7/8	22.225	1/4	6.350
1	25.400	YCR 16	YCRC 16	68	1	25.400	5/16	7.938
1 1/8	28.575	YCR 18	YCRC 18	77	1 1/8	28.575	5/16	7.938
1 1/4	31.750	YCR 20	YCRC 20	110	1 1/4	31.750	3/8	9.525
1 3/8	34.925	YCR 22	YCRC 22	136	1 3/8	34.925	3/8	9.525
1 1/2	38.100	YCR 24	YCRC 24	186	1 1/2	38.100	7/16	11.112
1 5/8	41.275	YCR 26	YCRC 26	227	1 5/8	41.275	7/16	11.112
1 3/4	44.450	YCR 28	YCRC 28	291	1 3/4	44.450	1/2	12.700
1 7/8	47.625	YCR 30	YCRC 30	364	1 7/8	47.625	1/2	12.700
2	50.800	YCR 32	YCRC 32	477	2	50.800	5/8	15.875

(1-1)當使用機油潤滑時，極限回轉速為表列數值的130%。

With oil lubrication, 130% of the values given in the tables are permissible.

(1-2)帶密封環油脂潤滑的極限為表列數值的60%。

With grease lubrication, 60% of the value given in the tables are permissible for sealed executions.

尺寸 Dimensions						基本額定負荷 Basic load ratings		極限 回轉速 Limited Speed
B		B1		R	b	動 Dynamic C lbf	靜 Static Co lbf	油脂潤滑 Grease rpm(1)
+0 -0.005 inch	+0 -0.13 mm	+0.005 -0.010 inch	+0.13 -0.25 mm	inch mm	inch mm	kgf	kgf	
1/2	12.700	9/16	14.288	10	1/8	2090	3060	7500
				250	3.2	950	1390	
1/2	12.700	9/16	14.288	10	1/8	2090	3060	7500
				250	3.2	950	1390	
5/8	15.875	11/16	17.462	12	1/8	3130	4540	6000
				300	3.2	1420	2060	
5/8	15.875	11/16	17.462	12	1/8	3130	4540	6000
				300	3.2	1420	2060	
3/4	19.050	13/16	20.638	14	3/16	4540	8110	4500
				360	4.8	2060	3680	
3/4	19.050	13/16	20.638	14	3/16	4540	8110	4500
				360	4.8	2060	3680	
7/8	22.225	15/16	23.812	20	3/16	6040	10000	4000
				500	4.8	2740	4540	
7/8	22.225	15/16	23.812	20	3/16	6040	10000	4000
				500	4.8	2740	4540	
1	25.400	1 1/16	26.988	20	3/16	8970	14000	3400
				500	4.8	4070	6350	
1	25.400	1 1/16	26.988	20	3/16	8970	14000	3400
				500	4.8	4070	6350	
1 1/4	31.750	1 5/16	33.338	24	1/4	11400	20100	2600
				600	6.4	5170	9120	

(2)球面外輪的外徑公差為0/-0.002inch (0/-0.050mm)。

(3)內徑公差為 + 0.0001/-0.0005inch (+0.0025/-0.0127mm)

(4)此系列產品，需經濟批量訂購生產

This series are produced by order.



## 支承柄滾輪型

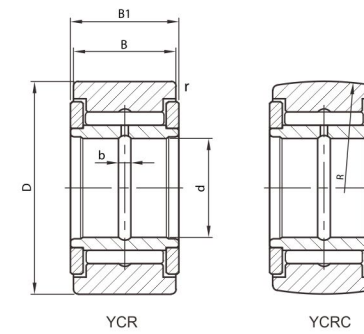
Yoke type track rollers

英制一體式  
Non-separable滿針型  
full complement

YCR



YCRC

YCR  
YCRC

YCR

YCRC

滾輪外徑 Outer ring diameter		軸承型號 Series 1/16 inch 無密封環 Without seals		單位重 Weight	尺寸 Dimensions			
D		圓筒外輪 Cylindrical outer ring	球面外輪 Crowned outer ring R		D(2)		d	
0 -0.001 inch	0 -0.025 mm			g	0 0.001 inch	0 -0.025 mm	+0.0002 -0.0004 inch	+0.005 -0.010 mm
2 1/4	57.150	YCR 36	YCRC 36	600	2 1/4	57.150	5/8	15.875
2 1/2	63.500	YCR 40	YCRC 40	818	2 1/2	63.500	3/4	19.050
2 3/4	69.850	YCR 44	YCRC 44	1023	2 3/4	69.850	3/4	19.050
3	76.200	YCR 48	YCRC 48	1410	3	76.200	1 (3)	25.400
3 1/4	82.550	YCR 52	YCRC 52	1645	3 1/4	82.550	1 (3)	25.400

(1-1)當使用機油潤滑時，極限回轉速為表列數值的130%。

With oil lubrication, 130% of the values given in the tables are permissible.

(1-2)帶密封環油脂潤滑的極限為表列數值的60%。

With grease lubrication, 60% of the value given in the tables are permissible for sealed executions.

尺寸 Dimensions						基本額定負荷 Basic load ratings		極限 回轉速 Limited Speed
B		B1		R	b	動 Dynamic C	靜 Static Co	油脂潤滑 Grease rpm(1)
+0 -0.005 inch	+0 -0.13 mm	+0.005 -0.010 inch	+0.13 -0.25 mm	inch mm	inch mm	lbf kgf	lbf kgf	
1 1/4	31.750	1 5/16	33.338	24 600	1/4 6.4	11400 5170	20100 9120	2600
1 1/2	38.100	1 9/16	39.688	30 760	1/4 6.4	13500 6120	26200 11900	2400
1 1/2	38.100	1 9/16	39.688	30 760	1/4 6.4	13500 6120	26200 11900	2400
1 3/4	44.450	1 13/16	46.038	30 760	3/8 9.5	18400 8340	43200 19600	2200
1 3/4	44.450	1 13/16	46.038	30 760	3/8 9.5	18400 8340	43200 19600	2200

(2)球面外輪的外徑公差為0/-0.002inch (0/-0.050mm)。

(3)內徑公差為 + 0.0001/-0.0005inch (+0.0025/-0.0127mm)

(4)此系列產品，需經濟批量訂購生產

This series are produced by order.