

## 支承滾輪型

Yoke type track rollers

一體式

Non-separable

珠巢型

cage type

滿針型

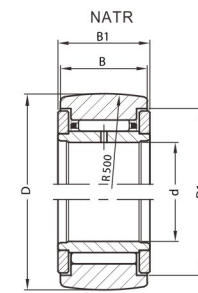
full complement

NATR

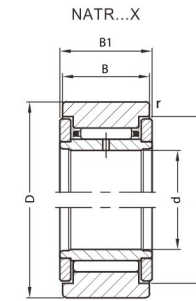
NATV

NATR...X

NATV...X



NATR



NATR...X

滾輪 外徑	軸承型號 Series		單位重 Weight
	無密封環 Without seals		
D mm	球面外輪 Crowned outer ring R500	圓筒外輪 Cylindrical outer ring	g
24	NATR 8	NATR 8X	41
	NATV 8	NATV 8X	42
30	NATR 10	NATR 10X	64
	NATV 10	NATV 10X	65
32	NATR 12	NATR 12X	71
	NATV 12	NATV 12X	72
35	NATR 15	NATR 15X	103
	NATV 15	NATV 15X	105
40	NATR 17	NATR 17X	144
	NATV 17	NATV 17X	152
47	NATR 20	NATR 20X	246
	NATV 20	NATV 20X	254
52	NATR 25	NATR 25X	275
	NATV 25	NATV 25X	285
62	NATR 30	NATR 30X	470
	NATV 30	NATV 30X	481

(1)當使用機油潤滑時,極限回轉速為表列數值的130%。

With oil lubrication, 130% of the values given in the tables are permissible.

(2)帶密封環油脂潤滑的極限為表列數值的60%。

With grease lubrication, 60% of the values given in the tables are permissible for sealed executions.

尺寸 Dimensions mm						基本額定負荷 Basic load ratings		極限回轉速 Limited Speed
d	D	B1	B	r min.	D1	動 Dynamic C kgf	靜 Static Co kgf	油脂潤滑 Grease rpm (1)
8	24	15	14	0.5	19	660	910	12000
8	24	15	14	0.5	19	1300	1820	8500
10	30	15	14	1	23	920	1190	10000
10	30	15	14	1	23	1390	2070	7000
12	32	15	14	1	23	970	1330	8500
12	32	15	14	1	23	1480	2330	6000
15	35	19	18	1	28	1100	1670	7500
15	35	19	18	1	28	1860	3340	5000
17	40	21	20	1.5	32	1650	2520	6500
17	40	21	20	1.5	32	2560	4480	4500
20	47	25	24	1.5	36	2220	3830	6000
20	47	25	24	1.5	36	3210	6200	3900
25	52	25	24	1.5	42	2390	4450	4800
25	52	25	24	1.5	42	3500	7320	3200
30	62	29	28	1.5	52	3740	7510	4000
30	62	29	28	1.5	52	5140	11400	2600

## 支承滾輪型

Yoke type track rollers

一體式

Non-separable

珠巢型

cage type

滿針型

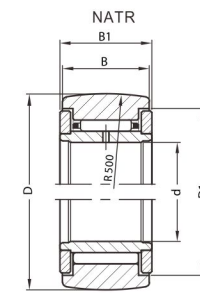
full complement

NATR

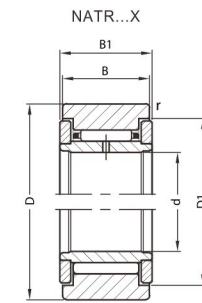
NATV

NATR...X

NATV...X



NATV



NATV...X

滾輪 外徑	軸承型號 Series 無密封環 Without seals		單位重 Weight
	球面外輪 Crowned outer ring R500	圓筒外輪 Cylindrical outer ring	
D mm			g
72	NATR 35	NATR 35X	640
	NATV 35	NATV 35X	655
80	NATR 40	NATR 40X	845
	NATV 40	NATV 40X	865
85	NATR 45	NATR 45X	915
	NATV 45	NATV 45X	935
90	NATR 50	NATR 50X	980
	NATV 50	NATV 50X	1010

(1)當使用機油潤滑時,極限回轉速為表列數值的130%.

With oil lubrication, 130% of the values given in the tables are permissible.

(2)帶密封環油脂潤滑的極限為表列數值的60%.

With grease lubrication, 60% of the values given in the tables are permissible for sealed executions.

尺寸 Dimensions mm						基本額定負荷 Basic load ratings		極限回轉速 Limited Speed
d	D	B1	B	r min.	D1	動 Dynamic C kgf	靜 Static Co kgf	油脂潤滑 Grease rpm (1)
35	72	29	28	2	60	4290	8600	3400
35	72	29	28	2	60	5990	13400	2200
40	80	32	30	2	66	4770	10200	3000
40	80	32	30	2	66	6630	15700	2000
45	85	32	30	2	72	5170	1040	2700
45	85	32	30	2	72	7560	17200	1800
50	90	32	30	2	76	5620	11700	2500
50	90	32	30	2	76	8050	18800	1700

## 支承滾輪型

Yoke type track rollers

一體式

Non-separable

珠巢型

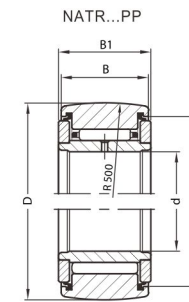
滿針型

cage type

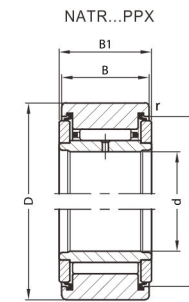
full complement

NATR...PP NATV...PP

NATR...PPX NATV...PPX



NATR...PP



NATR...PPX

滾輪 外徑	軸承型號 Series 帶密封環 With seals		單位重 Weight
	球面外輪 Crowned outer ring R500	圓筒外輪 Cylindrical outer ring	
D mm			g
24	NATR 8PP	NATR 8PPX	41
	NATV 8PP	NATV 8PPX	42
30	NATR 10PP	NATR 10PPX	64
	NATV 10PP	NATV 10PPX	65
32	NATR 12PP	NATR 12PPX	71
	NATV 12PP	NATV 12PPX	72
35	NATR 15PP	NATR 15PPX	103
	NATV 15PP	NATV 15PPX	105
40	NATR 17PP	NATR 17PPX	144
	NATV 17PP	NATV 17PPX	152
47	NATR 20PP	NATR 20PPX	246
	NATV 20PP	NATV 20PPX	254
52	NATR 25PP	NATR 25PPX	275
	NATV 25PP	NATV 25PPX	285
62	NATR 30PP	NATR 30PPX	470
	NATV 30PP	NATV 30PPX	481

(1)當使用機油潤滑時,極限回轉速為表列數值的130%。

With oil lubrication, 130% of the values given in the tables are permissible.

(2)帶密封環油脂潤滑的極限為表列數值的60%。

With grease lubrication, 60% of the values given in the tables are permissible for sealed executions.

尺寸 Dimensions mm						基本額定負荷 Basic load ratings		極限回轉速 Limited Speed
d	D	B1	B	r min.	D1	動 Dynamic C kgf	靜 Static Co kgf	油脂潤滑 Grease rpm (1)
8	24	15	14	0.5	19	660	910	12000
8	24	15	14	0.5	19	1300	1820	8500
10	30	15	14	1	23	920	1190	10000
10	30	15	14	1	23	1390	2070	7000
12	32	15	14	1	23	970	1330	8500
12	32	15	14	1	23	1480	2330	6000
15	35	19	18	1	28	1100	1670	7500
15	35	19	18	1	28	1860	3340	5000
17	40	21	20	1.5	32	1650	2520	6500
17	40	21	20	1.5	32	2560	4480	4500
20	47	25	24	1.5	36	2220	3830	6000
20	47	25	24	1.5	36	3210	6200	3900
25	52	25	24	1.5	42	2390	4450	4800
25	52	25	24	1.5	42	3500	7320	3200
30	62	29	28	1.5	52	3740	7510	4000
30	62	29	28	1.5	52	5140	11400	2600

## 支承滾輪型

Yoke type track rollers

一體式

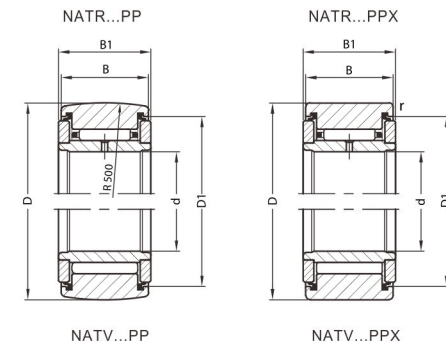
Non-separable

珠巢型 滿針型

cage type full complement

NATR...PP NATV...PP

NATR...PPX NATV...PPX



滾輪 外徑	軸承型號 Series 帶密封環 With seals		單位重 Weight
	球面外輪 Crowned outer ring R500	圓筒外輪 Cylindrical outer ring	
D mm			g
72	<b>NATR 35PP</b>	<b>NATR 35PPX</b>	635
	<b>NATV 35PP</b>	<b>NATV 35PPX</b>	647
80	<b>NATR 40PP</b>	<b>NATR 40PPX</b>	805
	<b>NATV 40PP</b>	<b>NATV 40PPX</b>	890
85	<b>NATR 45PP</b>	<b>NATR 45PPX</b>	915
	<b>NATV 45PP</b>	<b>NATV 45PPX</b>	935
90	<b>NATR 50PP</b>	<b>NATR 50PPX</b>	960
	<b>NATV 50PP</b>	<b>NATV 50PPX</b>	990

(1)當使用機油潤滑時,極限回轉速為表列數值的130%.

With oil lubrication, 130% of the values given in the tables are permissible.

(2)帶密封環油脂潤滑的極限為表列數值的60%.

With grease lubrication, 60% of the values given in the tables are permissible for sealed executions.

尺寸 Dimensions mm						基本額定負荷 Basic load ratings		極限回轉速 Limited Speed
d	D	B1	B	r min.	D1	動 Dynamic C kgf	靜 Static Co kgf	油脂潤滑 Grease rpm (1)
35	72	29	28	2	60	4290	8600	3400
35	72	29	28	2	60	5990	13400	2200
40	80	32	30	2	66	4770	10200	3000
40	80	32	30	2	66	6630	15700	2000
45	85	32	30	2	72	5170	1040	2700
45	85	32	30	2	72	7560	17200	1800
50	90	32	30	2	76	5620	11700	2500
50	90	32	30	2	76	8050	18800	1700



## 支承滾輪型

Yoke type track rollers

一體式

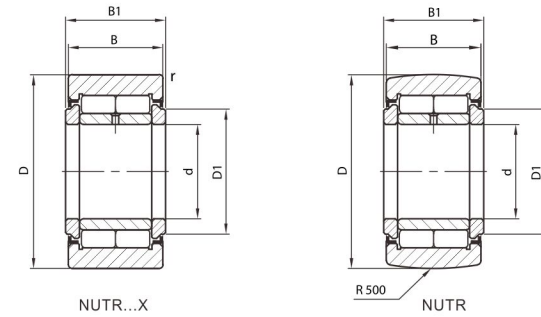
Non-separable

重荷型

heavy duty

NUTR

NUTR...X



滾輪 外徑	軸承型號 Series		單位重 Weight
	球面外輪 Crowned outer ring R500	圓筒外輪 Cylindrical outer ring	
D mm			g
35	NUTR 15	NUTR 15 X	99
40	NUTR 17	NUTR 17 X	147
42	NUTR 15 42	NUTR 15 42 X	158
47	NUTR 17 47	NUTR 17 47 X	220
	NUTR 20	NUTR 20 X	245
52	NUTR 20 52	NUTR 20 52 X	321
	NUTR 25	NUTR 25 X	281
62	NUTR 25 62	NUTR 25 62 X	450
	NUTR 30	NUTR 30 X	465
72	NUTR 30 72	NUTR 30 72 X	697
	NUTR 35	NUTR 35 X	630
80	NUTR 35 80	NUTR 35 80 X	836
	NUTR 40	NUTR 40 X	816
85	NUTR 45	NUTR 45 X	883
90	NUTR 40 90	NUTR 40 90 X	1129
	NUTR 50	NUTR 50 X	950

(1)當使用機油潤滑時,極限回轉速為表列數值的130%.

With oil lubrication, 130% of the values given in the tables are permissible.

(2)帶密封環油脂潤滑的極限為表列數值的60%.

With grease lubrication, 60% of the values given in the tables are permissible for sealed executions.

尺寸 Dimensions mm						基本額定負荷 Basic load ratings		極限回轉速 Limited Speed
d	D	B1	B	r min.	D1	動 Dynamic C kgf	靜 Static Co kgf	油脂潤滑 Grease rpm (1)
15	35	19	18	0.6	20	2350	2750	6500
17	40	21	20	1	22	2530	3160	5500
15	42	19	18	0.6	20	2350	2750	6500
17	47	21	20	1	22	2530	3160	5500
20	47	25	24	1	27	3980	5100	4200
20	52	25	24	1	27	3980	5100	4200
25	52	25	24	1	31	4440	6120	3400
25	62	25	24	1	31	4440	6120	3400
30	62	29	28	1	38	6020	8060	2600
30	72	29	28	1	38	6020	8060	2600
35	72	29	28	1.1	44	6630	9480	2100
35	80	29	28	1.1	44	6630	9480	2100
40	80	32	30	1.1	51	9180	13660	1600
45	85	32	30	1.1	55	9690	14990	1400
40	90	32	30	1.1	51	9180	13660	1600
50	90	32	30	1.1	60	10200	16400	1300

(3)外徑尺寸 > 100mm以上者, 需經濟批量訂購生產.

The out dimensions > 100mm are produced by order.

## 支承滾輪型

Yoke type track rollers

一體式

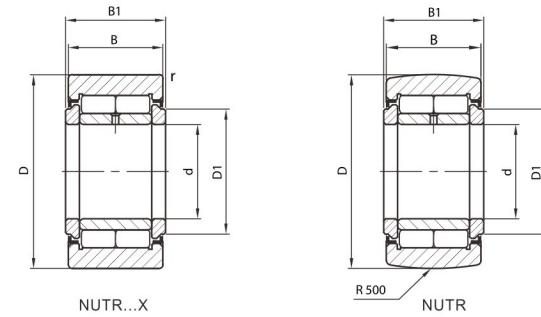
Non-separable

重荷型

heavy duty

NUTR

NUTR...X



滾輪 外徑	軸承型號 Series		單位重 Weight
	球面外輪 Crowned outer ring R500	圓筒外輪 Cylindrical outer ring	
D mm			g
100	<b>NUTR 45 100</b>	<b>NUTR 45 100 X</b>	1396
110	<b>NUTR 50 110</b>	<b>NUTR 50 110 X</b>	1690

(1)當使用機油潤滑時,極限回轉速為表列數值的130%.

With oil lubrication, 130% of the values given in the tables are permissible.

(2)帶密封環油脂潤滑的極限為表列數值的60%.

With grease lubrication, 60% of the values given in the tables are permissible for sealed executions.

尺寸 Dimensions mm						基本額定負荷 Basic load ratings		極限回轉速 Limited Speed
d	D	B1	B	r min.	D1	動 Dynamic C kgf	靜 Static Co kgf	油脂潤滑 Grease rpm (1)
45	100	32	30	1.1	55	9690	14990	1400
50	110	32	30	1.1	60	10200	16400	1300

(3)外徑尺寸 > 100mm以上者, 需經濟批量訂購生產.

The out dimensions > 100mm are produced by order.